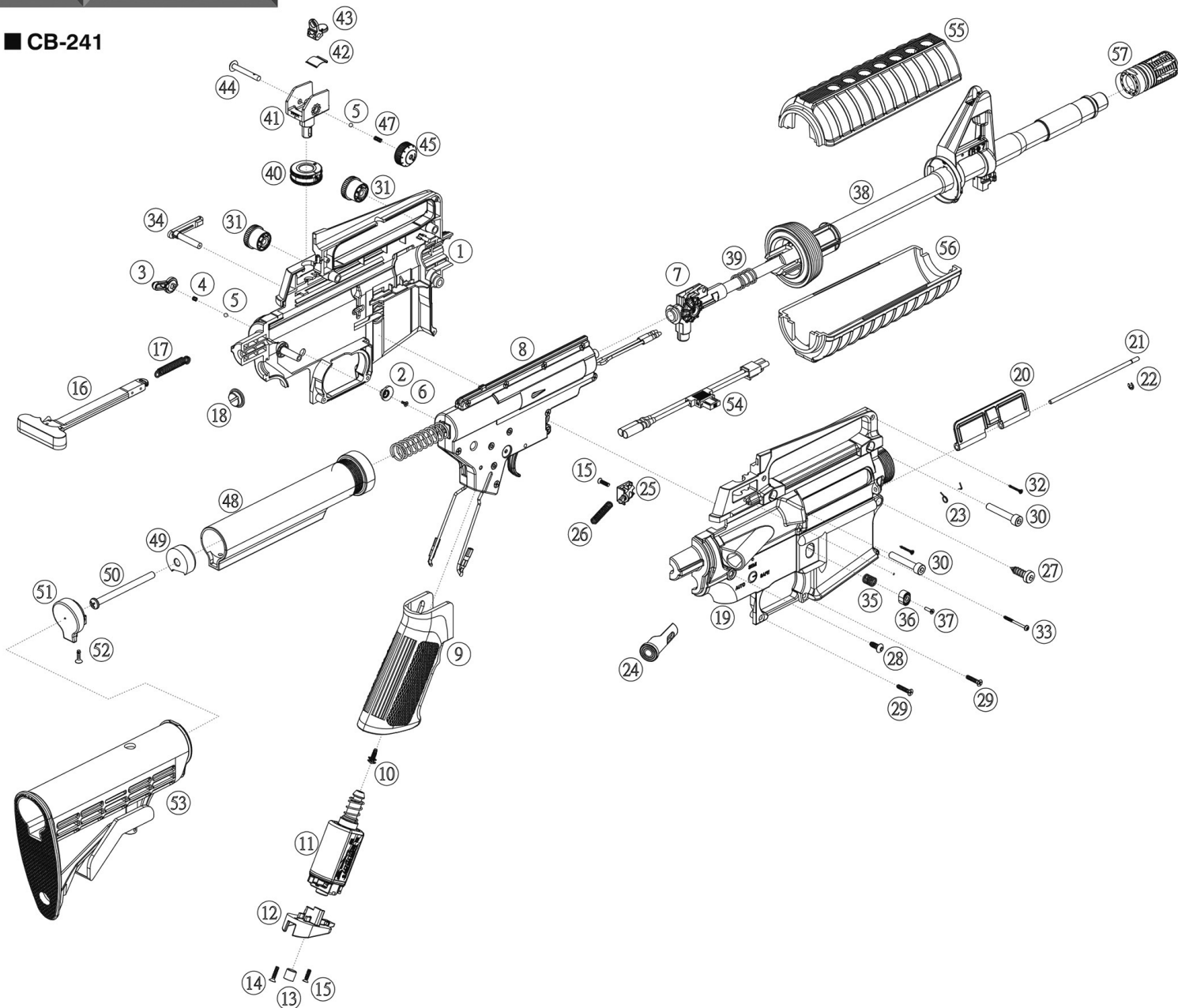


■ CB-241



電槍使用之注意事項
Maintenance

這個產品是針對18歲以上的消費者所開發的休閒運動的電動槍，請務必遵守遊戲規則。為避免讓別人誤認為真槍，帶槍外出時，請將槍以槍袋包裝，以避免不必要的誤會。

1. You must be 18 years or older to purchase and use this Air Gun. Carefully read and understand these instructions before use.
2. Since this Air Gun maybe mistakenly identified as the real firearm, you should never point the Air Gun towards a person in public so as to avoid serious consequences from armed law enforcement officers.



1. 槍口不可指向人或動物
1. NEVER POINT THE MUZZLE TOWARDS A PERSON OR ANIMAL
You may be liable if you injure a person or animal.
This Air Gun is intended for use in designated area only.



2. 絕對不要由槍口探視，避免傷及眼睛
2. NEVER LOOK INTO THE BARREL REGARDLESS OF WHETHER YOU THINK IT IS LOADED OR NOT.
If a BB Pellet hits your eye, you may be severely injured.



3. 請勿將槍置於未滿使用年齡之孩童容易取得之處
3. STORE THE AIR GUN IN PLACES OUT OF REACH OF MINORS.



4. 請勿任意將槍分解、加工、改造
4. DO NOT DISASSEMBLE OR MODIFY THE AIR GUN
This Air Gun is manufactured under consideration of appropriate performance and operability. Disassembling or modifying the Air Gun may be dangerous and may adversely affect its performance. The manufacturer's warranty will be void.



5. 射擊時請戴上護目鏡以確保安全
5. ALWAYS WEAR PROTECTIVE EYE GEAR.
When using the Air Gun, you and all participants must wear goggles. Always be aware of potential ricochets.



6. 槍在不使用時，請先關保險並拆下電池
6. PUSH THE FIRING SELECTOR TO (Safety Position) AND TAKE OUT THE BATTERY WHEN NOT USE.

1. 請勿使用回收及劣質的 B B 彈，以減少槍管損耗與避免卡彈的情形發生。

2. 如發現有卡彈的情形，應立即停止射擊，如卡彈後再勉強射擊，則會增加齒輪損耗。請使用內附通槍條，將卡彈清除後才可繼續使用。

3. 使用前請先確定您的電池已充滿電，當使用中發覺電池即將用盡或射擊速度降低時，應立即更換電池。

4. 請定期使用通槍條清潔槍管，以保持槍支射擊時的準確性及減少卡彈的情形發生。

5. 請勿經常空槍射擊，以減少 BOX 及齒輪不必要的損耗。

1. Use high quality BB's to prevent further damage to the AEG and to stop jams.

2. When a BB is jammed, take the cleaning rod that came with your gun and push it into the barrel moving down gently until the jammed BB comes loose.
Note: The barrel does not need to be removed from the gun before unjamming a BB.

3. To keep the outer appearance maintained, wipe down the gun with a soft cloth.

4. Do not dry fire the gun at any time to reduce damage to the gear box.

5. After playing, remove the magazine, switch to single shot mode and fire one shot to release the spring within the gearbox. Finally disconnect the battery. Clean and lubricate your AEG before storage, as needed.