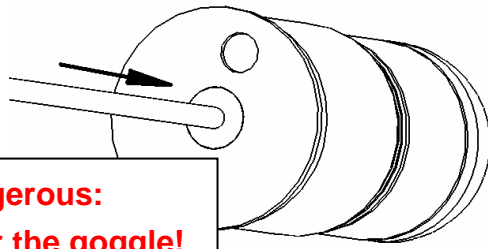




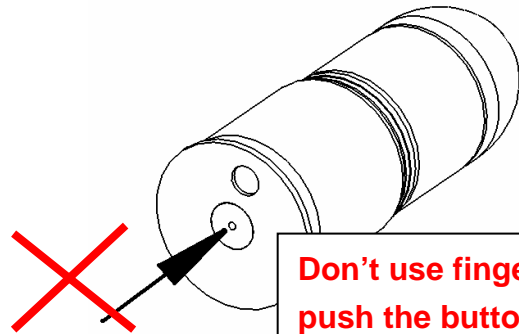
**MAD BULL XM-PB4 (4 Shots 0.68" Paintballs) Grenade User Manual**

**NOTE: WEAR GOGGLE ALL THE TIME!**



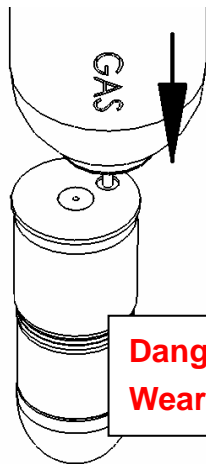
**Dangerous:  
Wear the goggle!**

Step 01 : Use a stick to push the "fire button" (Primer.) If you hear a "click" sound, it means the valve is in the off status. Remove the stick, the "button" should go back to the original position.



**Don't use finger to  
push the button.**

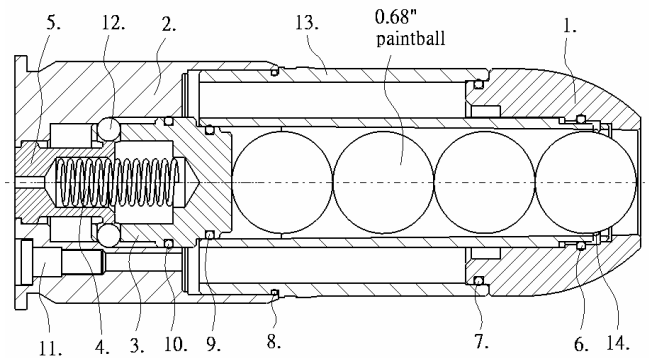
Step 04 : Load your grenade into your grenade launcher. Remember, don't use your finger to push the "fire button" or it will fire immediately and cause damages.



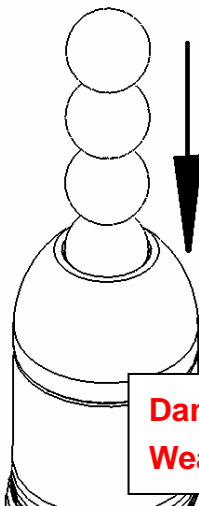
**Dangerous:  
Wear the goggle!**

Step 02 : Refill your grenade by gas cylinder showed as above. (head down) If there is a leaking, please repeat Step 01. NOTE: Our product is designed for low pressure use. If you use high pressure gas, it may cause leaking and damage the O-ring. If you observe the constant leaking, please contact the retailer and replace the O-ring. (Not free service)

**Details :**



1.	XM-PB4 (4 Shots Paintballs) grenade	8.	Third O-ring
2.	Shell	9.	Fourth O-ring
3.	Valve	10.	Fifth O-ring
4.	Valve spring	11.	Refill valve
5.	Fire button (Primer)	12.	Bearing
6.	First O-ring	13.	Body
7.	Second O-ring	14.	Hopup O-ring



**Dangerous:  
Wear the goggle!**

Step 03 : Load **0.68" paintballs** (4 shots max.) into chambers. NOTE: Remember to wear goggle during the whole process. **After you load the paintballs, please restore the grenade carefully and avoid the impacts or it will cause damages.**

**Important Notice:**

1. This grenade is only for Airsoft, paintballs. Unauthorized modified will cause damage.
2. You "MUST" refill the gas to check if there is a leaking first and then load the paintballs. If not, the leaking gas may fire the bullets and cause the damages.
3. Our product is designed for low pressure use. If you use high pressure gas, it may cause leaking and damage the O-ring.
4. Modify is not allowed. If you find problems with your grenade, consult with your local dealers.
5. Maintenance: Please use silicon oil to lubricate the components frequently.
6. Only replaced with the original factory parts in order to ensure the quality and safety.

**WARNING:**

Don't change, obscure, alter, remove, or obliterate any coloration or markings on this gun. The coloration and/or marking on this product, including the blaze orange barrel tip are designed to comply with applicable state and federal law and regulations.

**WARNING:**

This product may be mistaken for a firearm by law enforcement officers or others. Any person who changes, alters, removes, or obliterate any coloration or markings that are required by state or federal law or regulation, in any way that makes this product look more like a firearm is guilty of a misdemeanor.

**WARNING:**

The open display, brandishing and/or exposing of this product in any "public place" may cause confusion and may be a crime. The term "public place" means any area opened to public, including but not limited to, streets, sidewalks, bridges, alleys, plazas, parks, driveways, front yards, parking lots, automobiles, whether moving or not, and buildings opened to the general public including those that serve food or during, or provide entertainment, and the doorways and entrances to buildings or dwellings.

**WARNING:**

Every person who, except in self-defense, draws or exhibits this product in a threatening manner against another in such a way as to cause a reasonable person apprehension or fear of bodily harm is guilty of a misdemeanor punishable by imprisonment in the county jail for a term of not less than 30 days.