



1

G33 系列各部名稱 G33 Series component names



■ ICS-233-BK Engineering Plastic



■ ICS-234-TAN Engineering Plastic

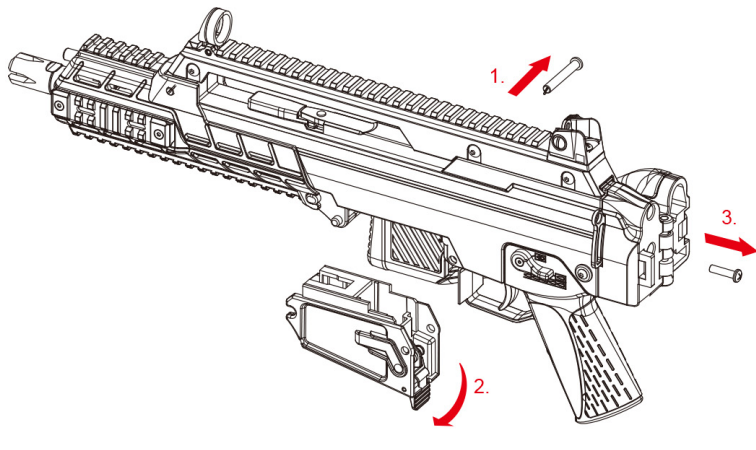


■ ICS-235-Two-Tone G33 Engineering Plastic

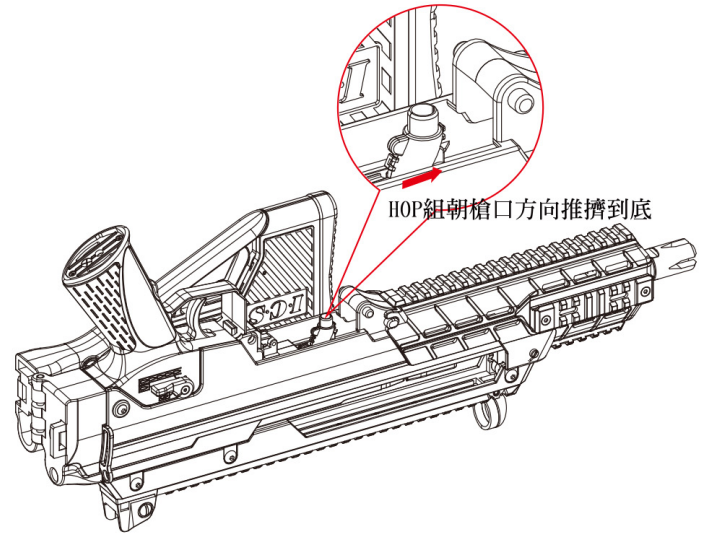


2

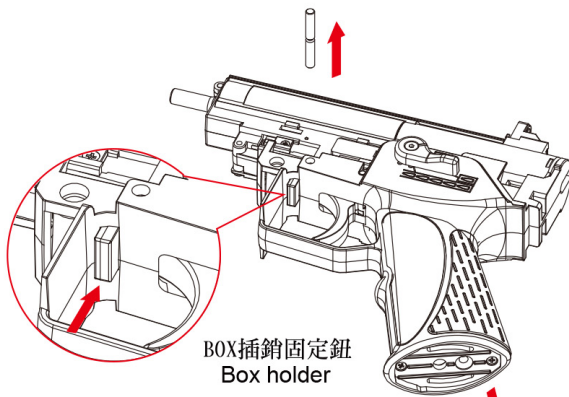
齒輪箱拆解 Disassemble Gear-box



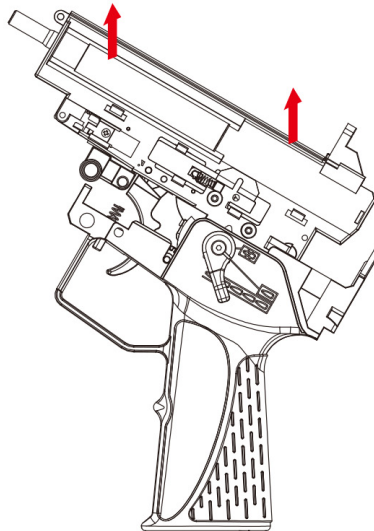
- 1** 1. 取出槍身下蓋插銷，將下蓋取下。
2. 折疊後槍托，旋開BOX固定螺絲
1. Take out the pin from the fire control group, and remove the magazine well.
2. Fold the stock, then unscrew with cross head screw driver.



- 2** 1. 將槍身反置，使握把朝上
2. 將HOP組朝槍口方向推擠到底
3. 將握把朝反槍口方向推擠即可取出下槍身組
4. 在取出下槍身組時，需注意電線及保險絲組
1. Turn the AEG up side down.
2. Push the Hop-up chamber forward
3. Push pistol grip backward to take down the fire control group .
4. Careful with wires and safety fuse when you take down the fire control group.



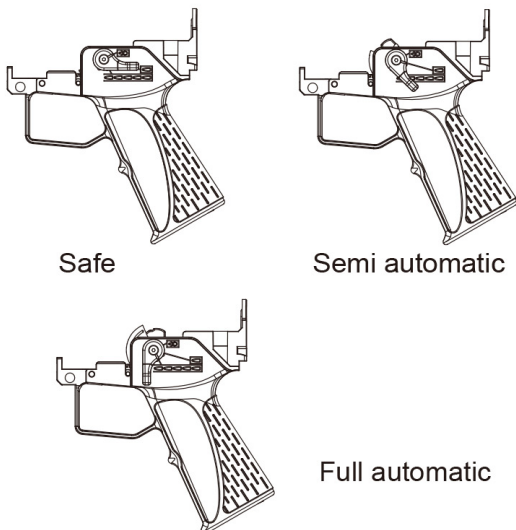
- 3** 1. 將握把底蓋中間之螺絲旋開。
2. 將BOX插銷固定鈕壓入。
3. 將BOX插銷取出
1. Take out the screw from the bottom of pistol grip.
2. Press the holder
3. Take the pin out.



- 4** 1. 將射擊選擇鈕切換至單發位置
2. 將握把底蓋朝下放置平穩
3. 緩慢將BOX拉出
4. 拉出BOX時請注意射選連動片位置
- Switch the trigger contact switch to semi-auto mode
Drag the Gearbox out slowly.
Careful with the trigger contact switch while you drag the gearbox out.

3

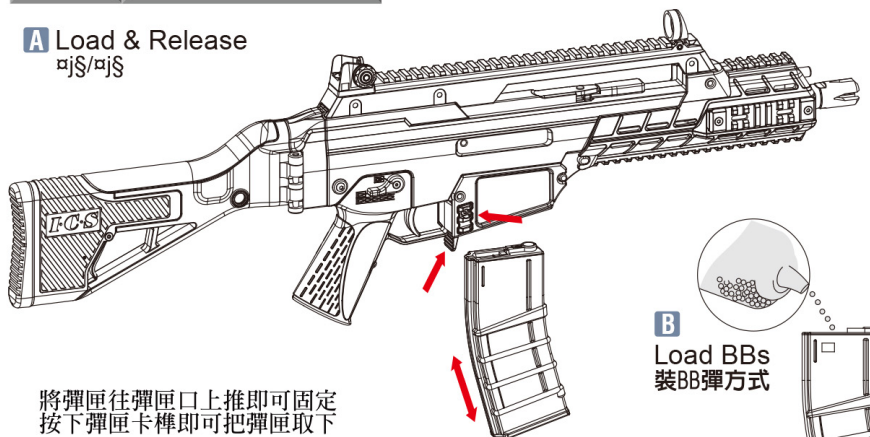
單連發選擇方式 Selection lever setting



4

彈匣使用方式 Magazine attachment

- A** Load & Release
↵↵/↵↵

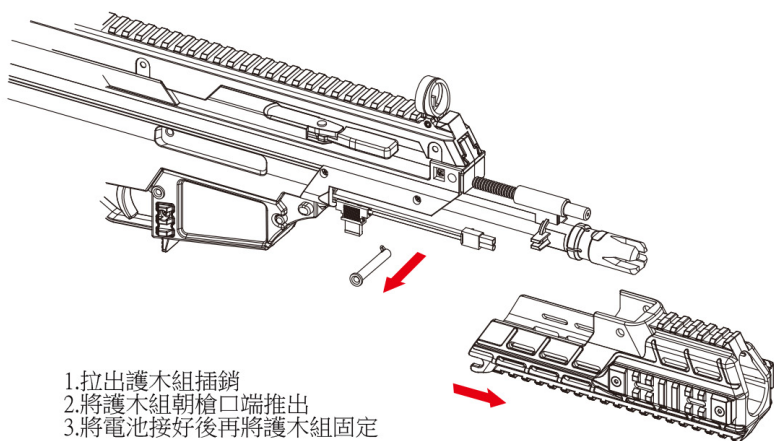


- B** Load BBs
裝BB彈方式

將彈匣往彈匣口上推即可固定
按下彈匣卡榫即可把彈匣取下
Insert the magazine in magazine well until the sound click appeared
Press the magazine release mechanism to take down.

5

裝電池方法 Battery fitting method

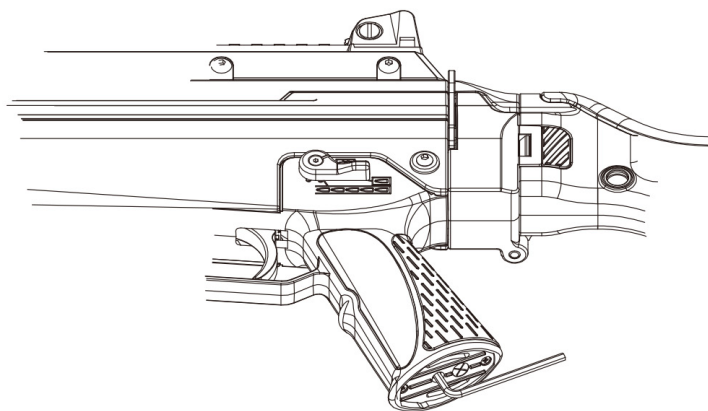


1. 拉出護木組插銷
2. 將護木組朝槍口端推出
3. 將電池接好後再將護木組固定

1. Take the handguard pin out.
2. Move the handguard forward the muzzle direction.
3. Install the battery then reverse previous moves.

6

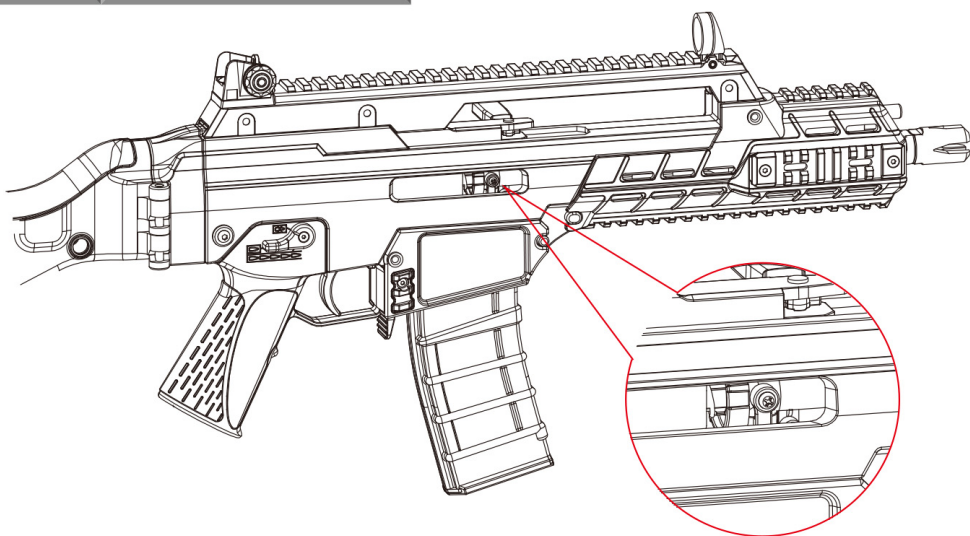
馬達間隙調整 Motor gap adjustment



用六角扳手調整馬達間隙螺絲
Use allen screw to adjust the motor gap.

7

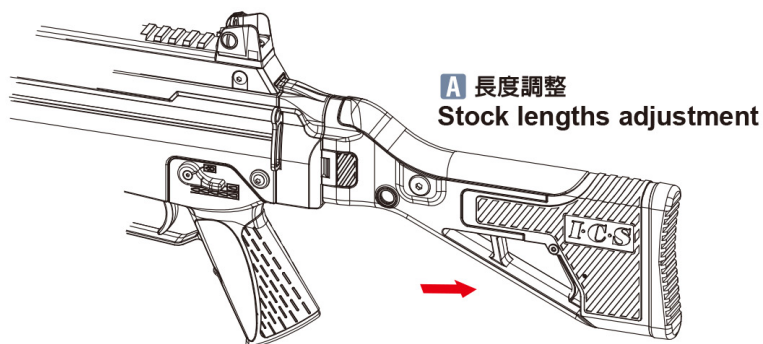
HOP-UP彈道調整 Hop-up adjustment



BB彈如果往上飄，撥盤向上撥動迴轉
BB彈如果往下墜，撥盤向下撥動迴轉
If the BB trajectory is too high,
turn the Hop-up knob upward to
lower the trajectory. (Vice versa.)

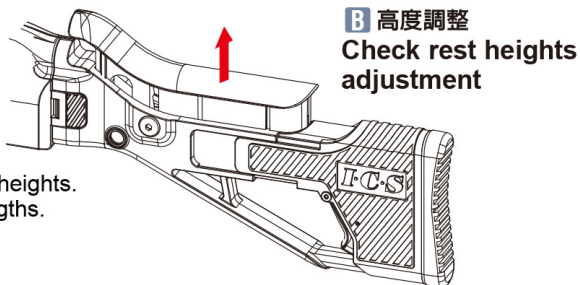
8

後托調整 Stock adjustment

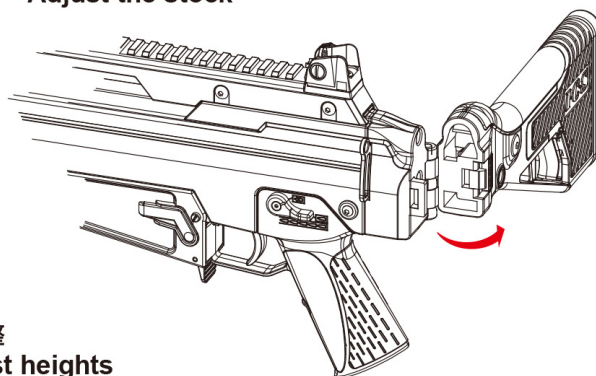


1. 貼腮可高低三段調整
2. 槍托底板可伸縮四段調整

Check piece can be adjust in 3 different heights.
Stock pad is collapsible in 4 different lengths.



C 折疊方式
Adjust the stock

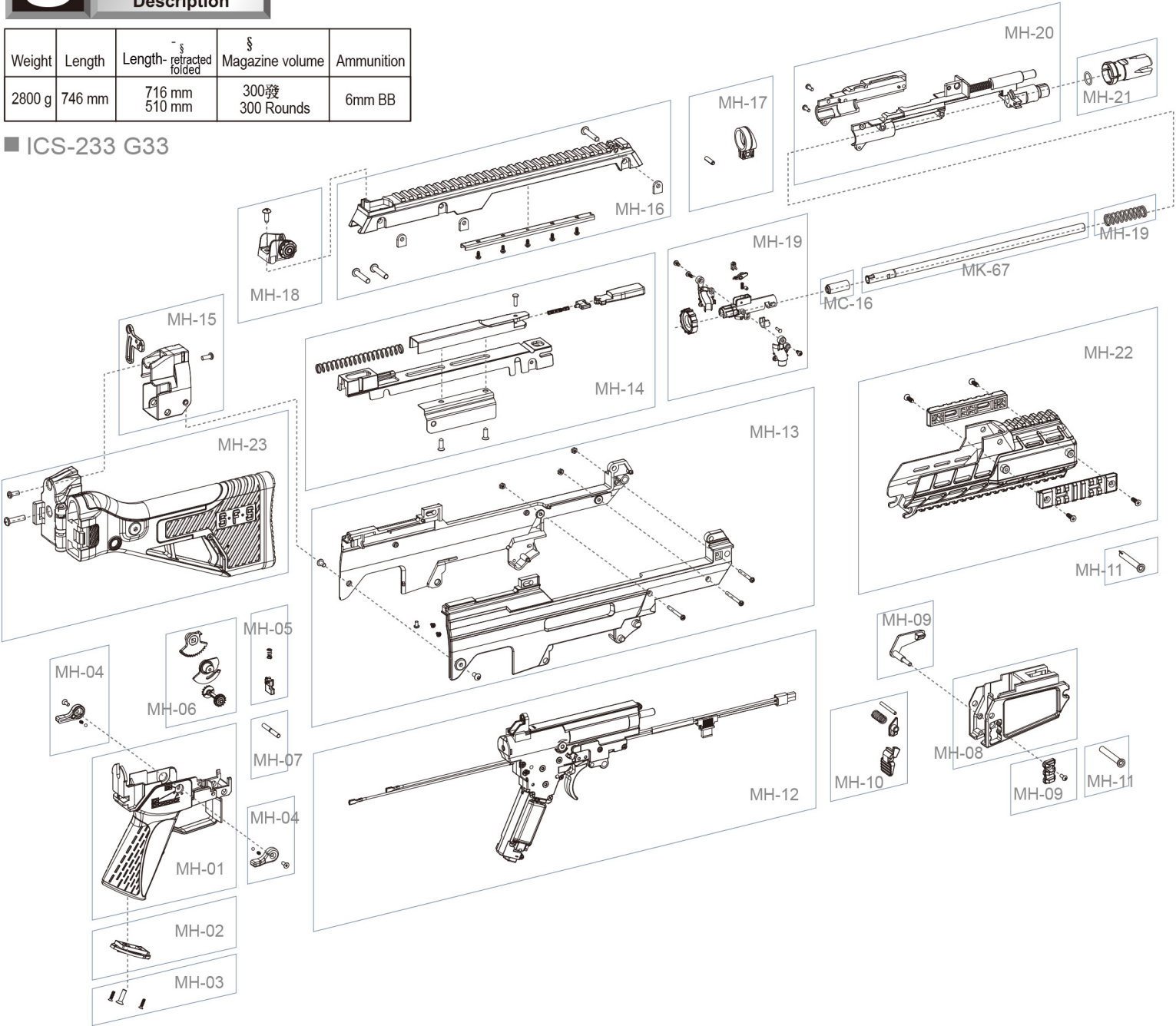


按壓槍托折疊鈕即可折疊
Floating the stock by press button here.

9 各部零件說明 Description

Weight	Length	Length- retracted folded	Magazine volume	Ammunition
2800 g	746 mm	716 mm 510 mm	300發 300 Rounds	6mm BB

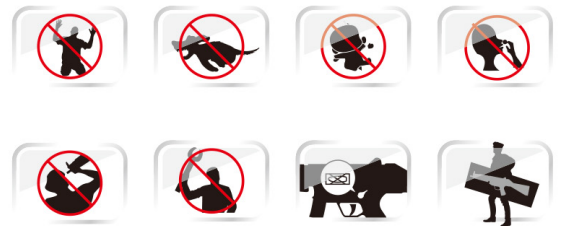
ICS-233 G33



WARNING 警告 電槍使用之注意事項 Maintenance

1. 請勿使用回收及劣質的 BB 彈，以減少槍管損耗與避免卡彈的情形發生。
2. 如發現有卡彈的情形，應立即停止射擊，如卡彈後再勉強射擊，則會增加齒輪損耗。請使用內附通槍條，將卡彈清除後才可繼續使用。若完成通槍基本故障排除後仍無法使用時，請回原採購店家或專業經銷商尋求維修服務。
3. 使用前請先確定您的電池已充滿電，當使用中發覺電池即將用盡或射擊速度降低時，應立即更換電池。
4. 請定期使用通槍條清潔槍管，以保持槍支射擊時的準確性及減少卡彈的情形發生。
5. 請勿經常空槍射擊，以減少 BOX 及齒輪不必要的損耗。

1. Use high quality BB's to prevent further damage to the AEG and to stop jams.
2. When a BB is jammed, take the cleaning rod that came with your gun and push it to the barrel moving down gently until the jammed BB comes loose.
Note: The barrel does not need to be removed from the gun before unjamming a BB.
3. To keep the outer appearance maintained, wipe down the gun with a soft cloth.
4. Do not dry fire the gun at any time in order to reduce damage to the gear box.
5. After playing, remove the magazine, switch to single shot mode and fire one shot to release the spring within the gearbox. Finally disconnect the battery. Clean and lubricate your AEG before storage, as needed.



Always read through this manual before operation user restricted to 18 year of age or older

