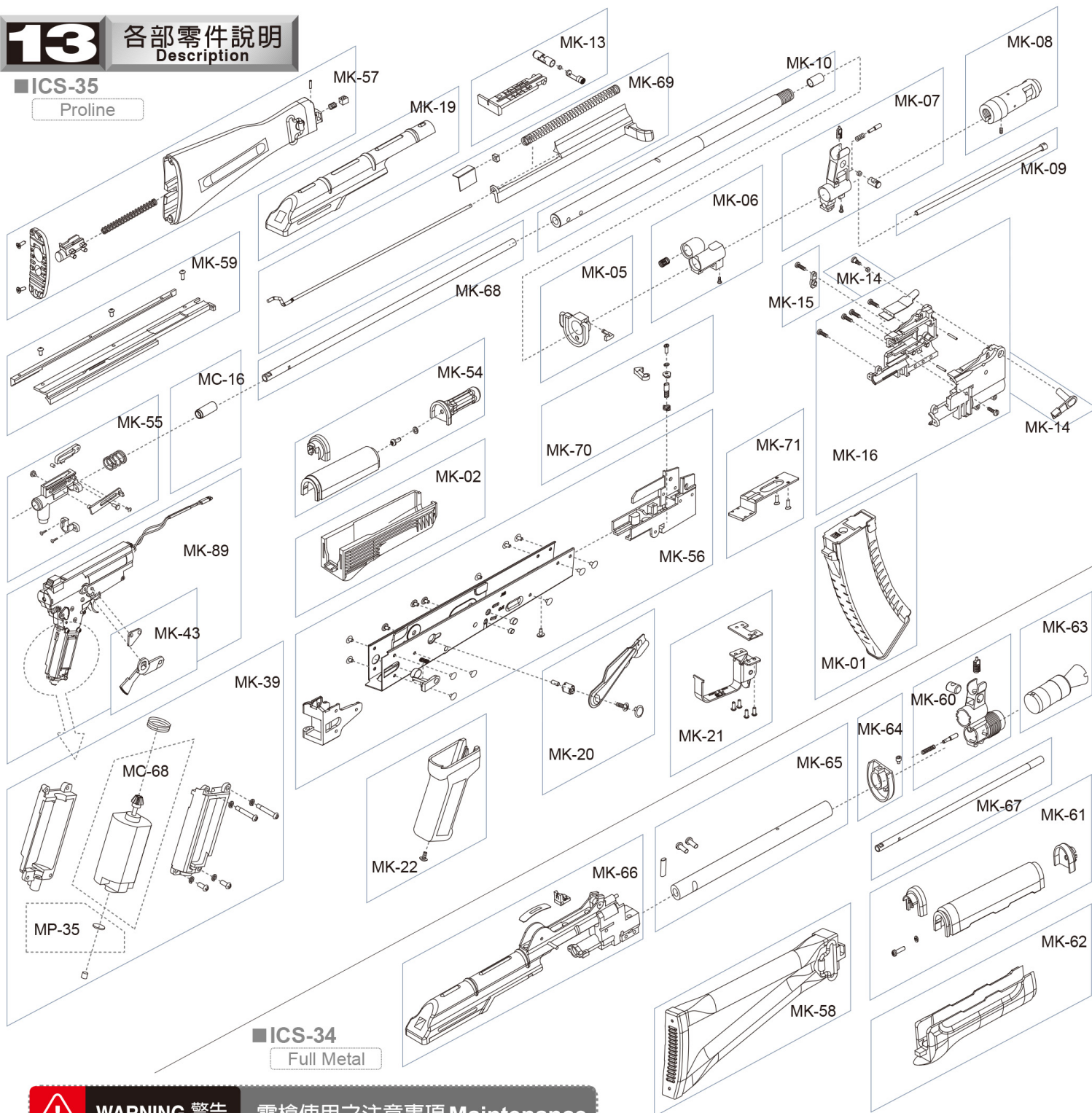


13 各部零件說明 Description

■ ICS-35
Proline



■ ICS-34
Full Metal



WARNING 警告 電槍使用之注意事項 Maintenance

1. 請勿使用回收及劣質的 B B 彈，以減少槍管損耗與避免卡彈的情形發生。
 2. 如發現有卡彈的情形，應立即停止射擊，如卡彈後再勉強射擊，則會增加齒輪損耗。請使用內附通槍條，將卡彈清除後才可繼續使用。若完成通槍基本故障排除後仍無法使用時，請回原採購店家或專業經銷商尋求維修服務。
 3. 使用前請先確定您的電池已充滿電，當使用中發覺電池即將用盡或射擊速度降低時，應立即更換電池。
 4. 請定期使用通槍條清潔槍管，以保持槍支射擊時的準確性及減少卡彈的情形發生。
 5. 請勿經常空槍射擊，以減少 BOX 及齒輪不必要的損耗。
1. Use high quality BB's to prevent further damage to the AEG and to stop jams.
 2. When a BB is jammed, take the cleaning rod that came with your gun and push it into the barrel moving down gently until the jammed BB comes loose. Note: The barrel does not need to be removed from the gun before unjamming a BB.
 3. To keep the outer appearance maintained, wipe down the gun with a soft cloth.
 4. Do not dry fire the gun at any time to reduce damage to the gear box.
 5. After playing, remove the magazine, switch to single shot mode and fire one shot to release the spring within the gearbox. Finally disconnect the battery. Clean and lubricate your AEG before storage, as needed.

Always read through this manual before operation user restricted to 18 year of age or older

