



1 Mk3 系列各部名稱 Mk3 Series Component Names



■ ICS-225 Proline
PAR MK3 C



■ IMT-225-1 Proline
PAR MK3 C



■ IMT-226-1 Proline
PAR MK3



■ IMT-227-1 Proline
PAR MK3 R



■ IMT-228-1 Proline
PAR MK3 CQB



■ ICS-226 Proline
PAR MK3



■ ICS-227 Proline
PAR MK3 R



■ ICS-228 Proline
PAR MK3 CQB



2 彈匣使用方式 Magazine Attachment

2-1 裝BB彈方式 Load BBs

將彈匣上蓋依箭頭方向推開再倒入BB彈。
Open the cover to load BBs.

建議使用 ICS 6mm BB彈
ICS 6mm caliber BBs
are recommended for
optimum performance.



依箭頭方向旋緊彈匣底下旋鈕，即可將BB彈順利送出。
To charge BB feed spring, please rotate the gear under the magazine.

2-2 裝卸彈匣 Magazine Loading and Unloading

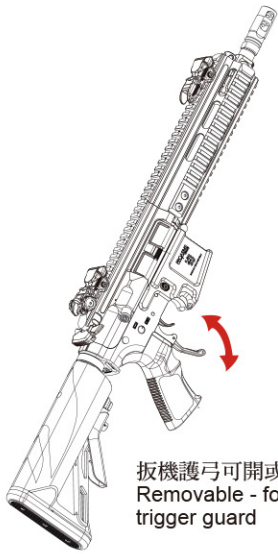


直接將彈匣插入槍身彈匣插槽；
按下彈匣釋放鈕以卸除彈匣。
Directly insert magazine into
magazine slot; unload the
magazine by pressing the
magazine catch button.

3

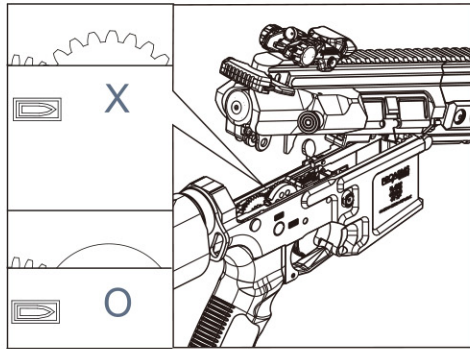
可動部的說明 Movable Parts

3-1 扳機護弓 Trigger Guard



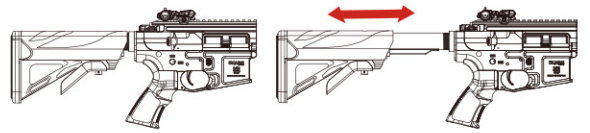
扳機護弓可開或關
Removable - folding
trigger guard

3-2 槍身結合 3 號齒正確位置圖 The correct position of No.3 gear before reassembling



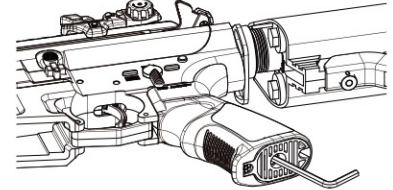
3號齒在槍身結合時，必須轉到正確位置，才可將上槍身蓋下。
Make sure No.3 gear is turned to the correct position before reassembling the receiver/gearbox.

3-3 調整伸縮托長度 Adjust Retractable Stock Length



按下卡榫，即可將伸縮托向後拉或向前推，共有6段可供調整長度。
Press and hold the stock release lever to unlock. Adjust the 6-position retractable stock to the most comfortable position.

3-4 馬達間隙調整 Motor Gap Adjustment



使用4mm六角扳手來進行馬達傘齒間隙調整(出廠前已調整好)。
Use 4mm Allen key to wake the fine-turn adjustment.
(Adjust when needed. Already made before out of factory)

4

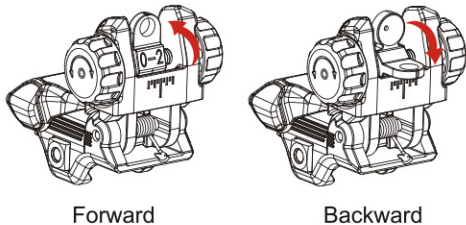
精確射擊調整動作 Precision Targeting Adjustment

4-1 規孔調整方式 Rear Sight Adjustment

4-2 準星高度調整 Front Sight Adjustment

A: 精密射擊調整 Precision targeting adjustment

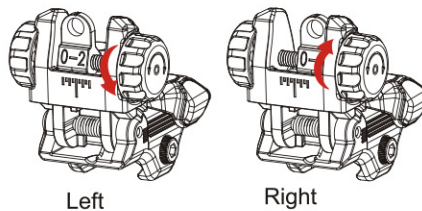
B: 規孔調整方式 Rear Sight Adjustment



Forward

Backward

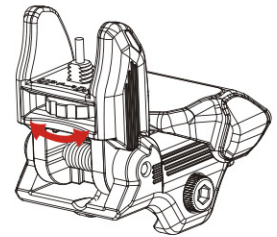
近距離將規孔往前推/遠距離將規孔往後推
Common/close-range low-light shooting
Push forward to engage battle sight
Precision daylight shooting
Push backward to engage peep hole



Left

Right

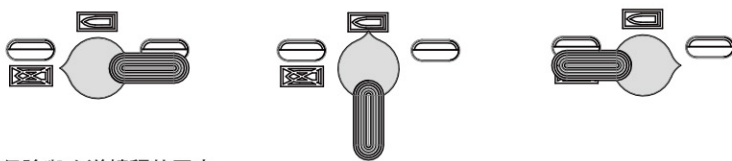
依旋鈕方向旋轉即可將規孔組左右調整
Rotate clockwise to aim right
Rotate counter clockwise to aim left



將調整鈕轉左即可升高準星
將調整鈕轉右即可降低準星
Rotate the dial left to raise the aiming point.
Rotate the dial right to lower the aiming point.

4-3 選擇射擊模式 Shooting Mode Setting

保險 Safety Setting 單發 Semi Automatic 連發 Fully Automatic

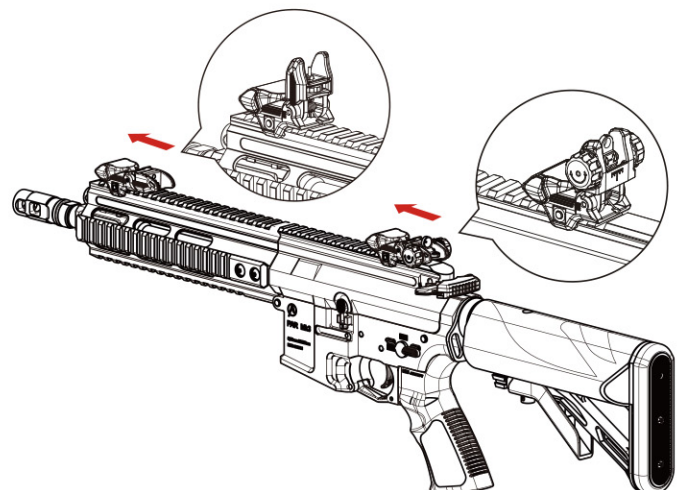


保險與止逆轉釋放同步
Switch the selector lever to safety position (aim forward) can release the spring and cease fire synchronously.

1. 槍枝使用完畢轉至單發狀態下發射2~3下後再關保險，可將活塞彈簧回覆至原處。
2. 槍身做分解時，必須先釋放活塞彈簧，才可做分解動作。

1. After playing, fire 2-3 by using semi automatic, then switch the selector lever to safety position to release the spring tension before storage.
2. Before disassembling the gearbox, always release the spring by turning selector lever to safety position.

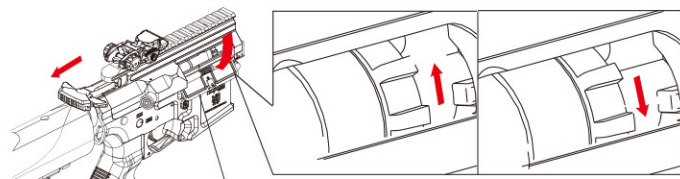
4-4 彈跳式準星/規孔 Back-up Front Sight / Rear Sight



5

HOP-UP彈道調整 Hop-up Adjustment

1. 調整HOP向上使子彈下降
1. Increase Hop-up to make the pellet go down.
2. 調整HOP向下使子彈上升
2. Decrease the Hop-up to make the pellet go up.

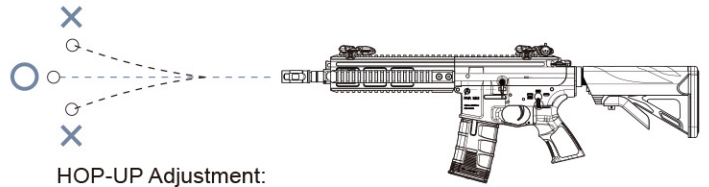


防塵蓋
Ejection Cover

將槍機拉柄往後拉，防塵蓋即可打開。
Pull the charging handle backward to open the ejection cover for hop-up adjustment.

HOP-UP調整：

子彈過於上飄，請調整HOP-UP環向上旋轉。子彈過於下墜，請調整HOP-UP環向下旋轉。BB彈呈現一直線的彈道才是正確射法。



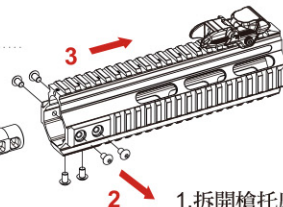
HOP-UP Adjustment:

When the BB pellet rises up, increase the HOP-UP by rotating counterclockwise. When the BB pellet falls down, decrease the HOP-UP by rotating clockwise. Make sure the trajectory of BB pellet to be straight is correct.

6

電池及護木的拆裝方法 Disassemble Battery and Handguard

注意
CAUTION ※重新組裝時，必須依反向動作組合
Reassembling is the reverse of disassembling procedures.



1. 拆開槍托底蓋螺絲即可安裝電池

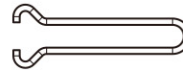
2. 拆開護木螺絲

3. 護木往前取出

1. Release butt plate screws to install batteries

2. Release handguard screws

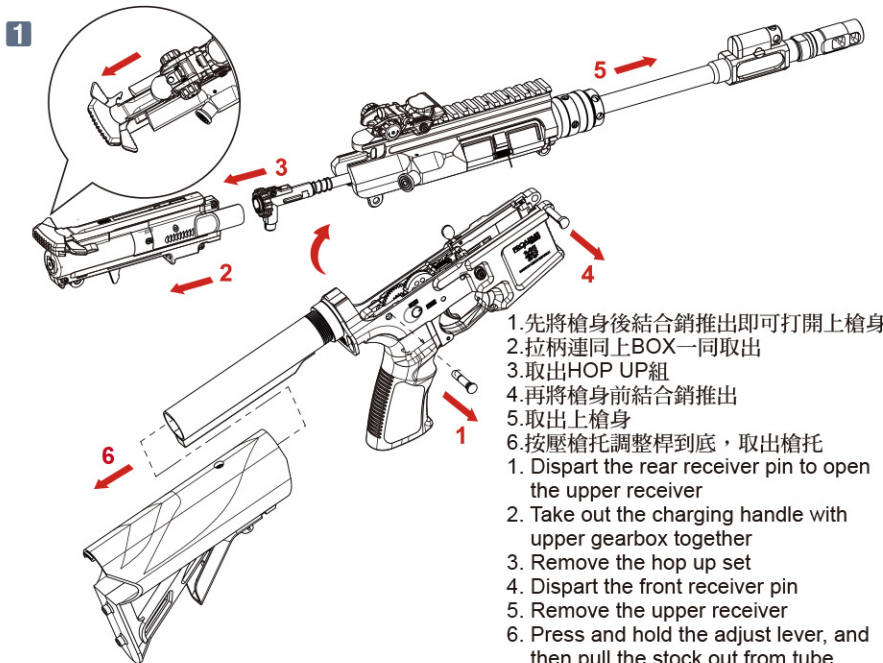
3. Pull out the handguard



拆解槍管固定環工具
Outer Barrel Ring Tool

7

齒輪箱拆解 Disassemble Gearbox



1. 先將槍身後結合銷推出即可打開上槍身

2. 拉柄連同BOX一同取出

3. 取出HOP UP組

4. 再將槍身前結合銷推出

5. 取出上槍身

6. 按壓槍托調整桿到底，取出槍托

1. Dispart the rear receiver pin to open the upper receiver

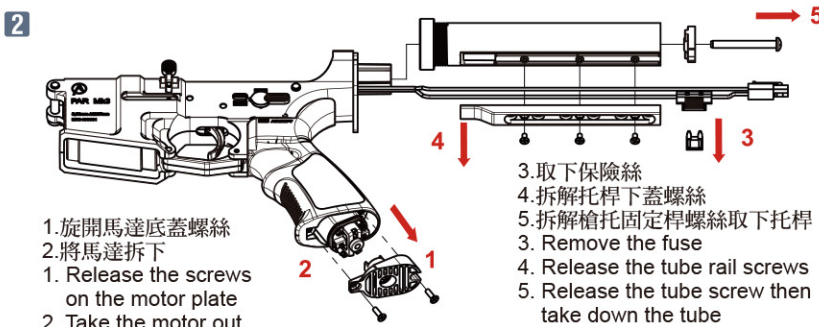
2. Take out the charging handle with upper gearbox together

3. Remove the hop up set

4. Dispart the front receiver pin

5. Remove the upper receiver

6. Press and hold the adjust lever, and then pull the stock out from tube



1. 旋開馬達底蓋螺絲

2. 將馬達拆下

1. Release the screws on the motor plate

2. Take the motor out

3. 取下保險絲

4. 拆解托桿下蓋螺絲

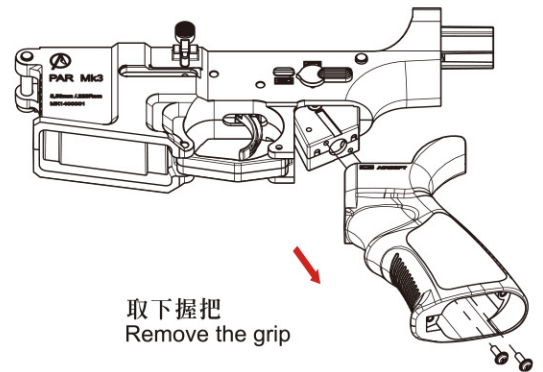
5. 拆解槍托固定桿螺絲取下托桿

3. Remove the fuse

4. Release the tube rail screws

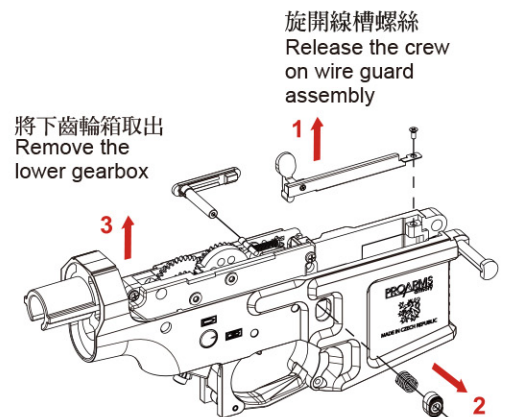
5. Release the tube screw then take down the tube

3



取下握把
Remove the grip

4



旋開線槽螺絲
Release the crew on wire guard assembly

將下齒輪箱取出
Remove the lower gearbox

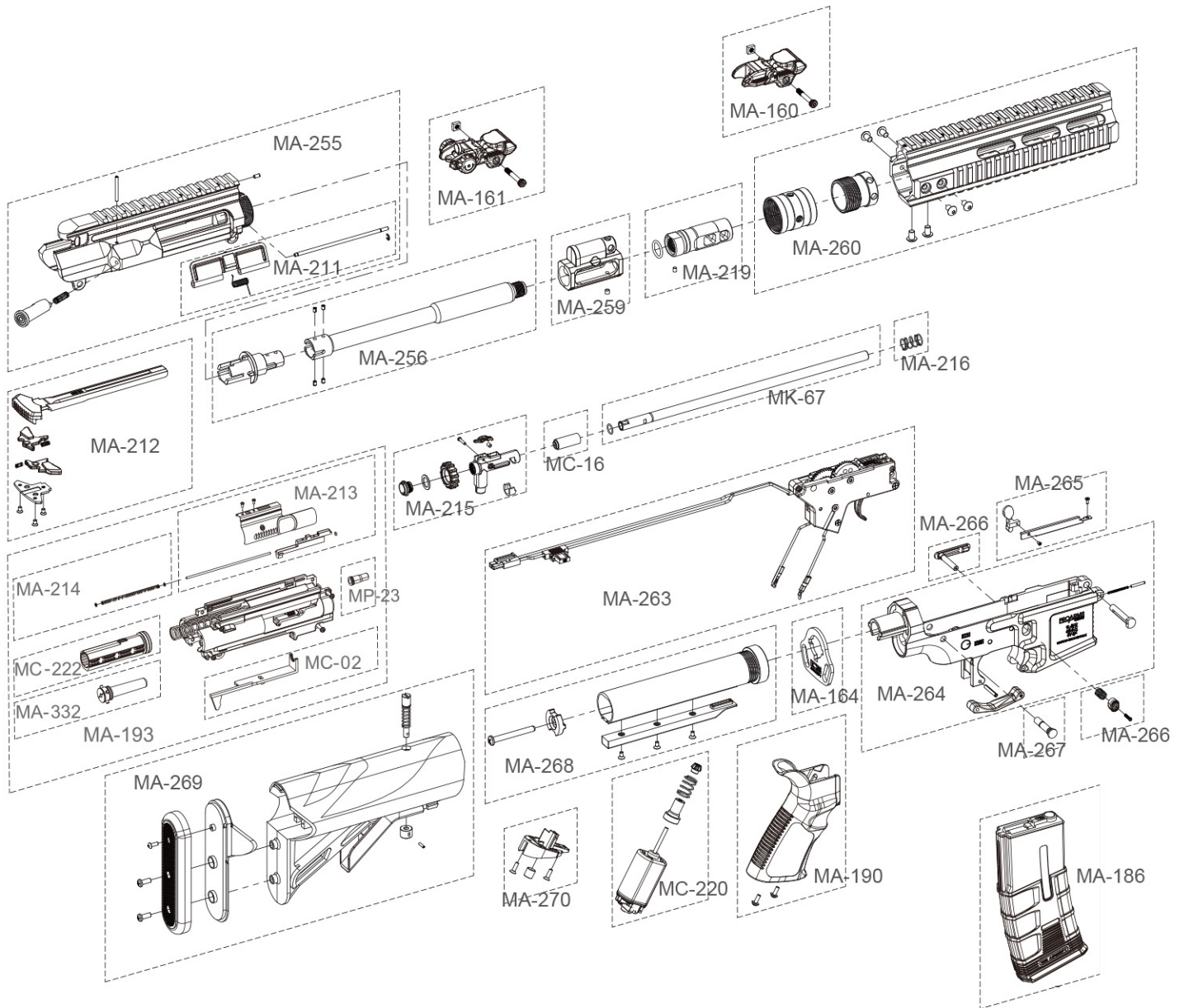
旋開彈匣卡榫螺絲
Release the crew on magazine catch button

8

各部零件說明 Description

ICS-225 Proline PAR MK3 C

*每一款槍型基本配備不同依實際出貨為主。圖片僅供參考。
The components/accessories for each model may have kind of differences depending on the actual goods. Images are only for reference.

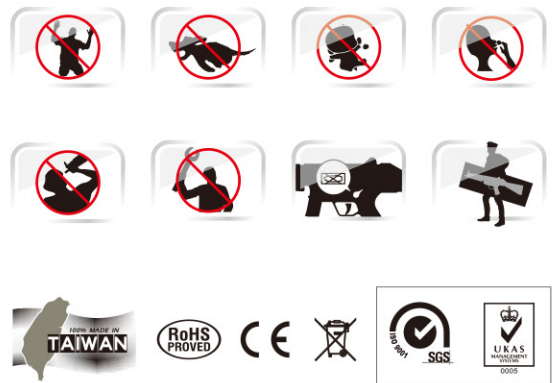


WARNING 警告 電槍使用之注意事項 Maintenance

1. 請勿使用回收及劣質的 BB 彈，以減少槍管損耗與避免卡彈的情形發生。
2. 如發現有卡彈的情形，應立即停止射擊，如卡彈後再勉強射擊，則會增加齒輪損耗。請使用內附通槍條，將卡彈清除後才可繼續使用。若完成通槍基本故障排除後仍無法使用時，請回原採購店家或專業經銷商尋求維修服務。
3. 使用前請先確定您的電池已充滿電，當使用中發覺電池即將用盡或射擊速度降低時，應立即更換電池。
4. 請定期使用通槍條清潔槍管，以保持槍管射擊時的準確性及減少卡彈的情形發生。
5. 請勿經常空槍射擊，以減少BOX及齒輪不必要的損耗。

使用前請務必詳閱此說明書限18歲以上使用
Always read through this manual before operation.
User restricted to 18 year of age or older.

1. Do not use recycle or low quality BB pellets to reduce the barrel damage and prevent from jams.
2. When a BB pellet is jammed, cease fire immediately. Firing under jam may cause damage on gears. Please use the cleaning rod that came with your airsoft gun to push it into the barrel by moving down gently until the jammed BB pellet comes out. If the jam still cannot be solved, please contact your original purchase retailer or ask for professional agent for repair service. Note: No need to remove the barrel when eliminating jam.
3. Please make sure the battery is full charged before using. When the battery is run out or firing speed is decreasing, new battery has to be replaced immediately.
4. Please use cleaning rod periodically to clean the barrel to ensure the firing precision and reduce jam.
5. Do not dry fire the airsoft gun at any time to reduce damage to the gearbox.



www.icsbb.com

TAIWAN RoHS PROVED CE SGS UKAS
 一芝軒企業有限公司 www.icsbb.com
 I CHIH SHIVAN ENTERPRISE CO., LTD.
 TEL: 886-4-25256461 FAX: 886-4-25256484