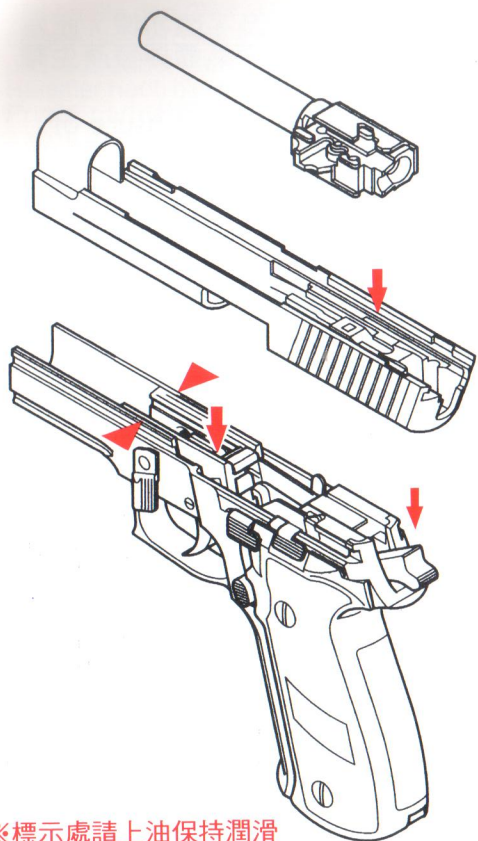
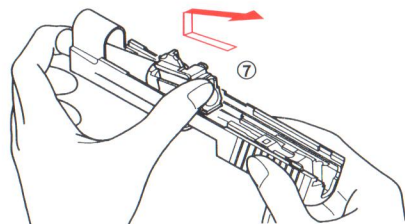
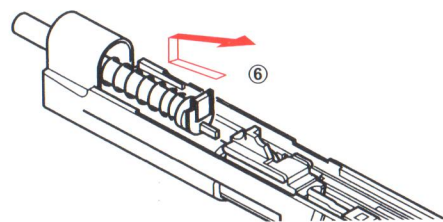
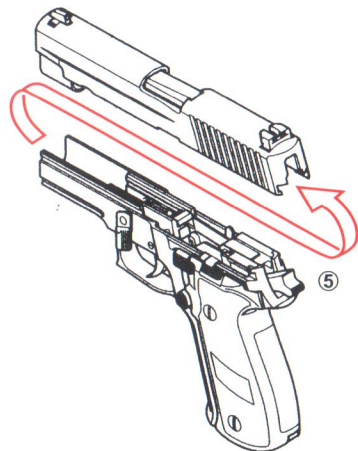
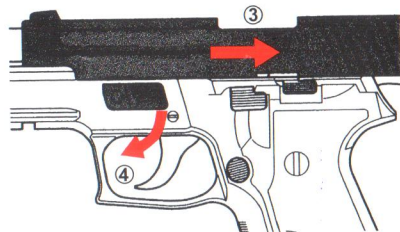
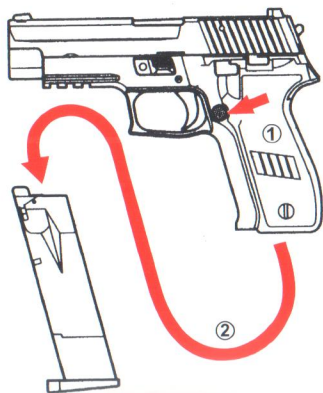


8 分解及保養 DISASSEMBLY AND BASIC MAINTENANCE



※標示處請上油保持潤滑

9 爆炸圖 EXPLOSION

