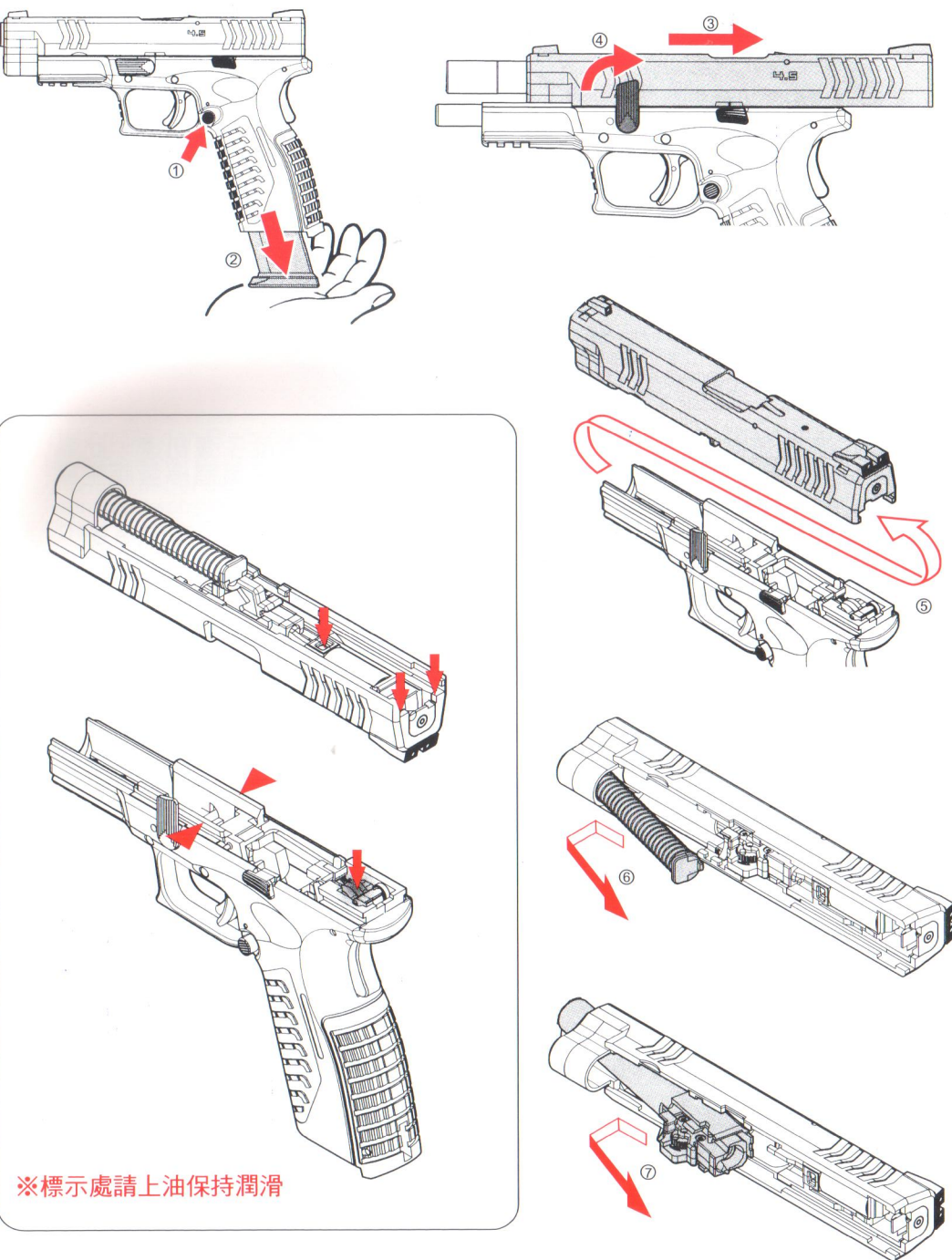


# 8 分解及保養 DISASSEMBLY AND BASIC MAINTENANCE

# 9 爆炸圖 EXPLOSION



※標示處請上油保持潤滑

