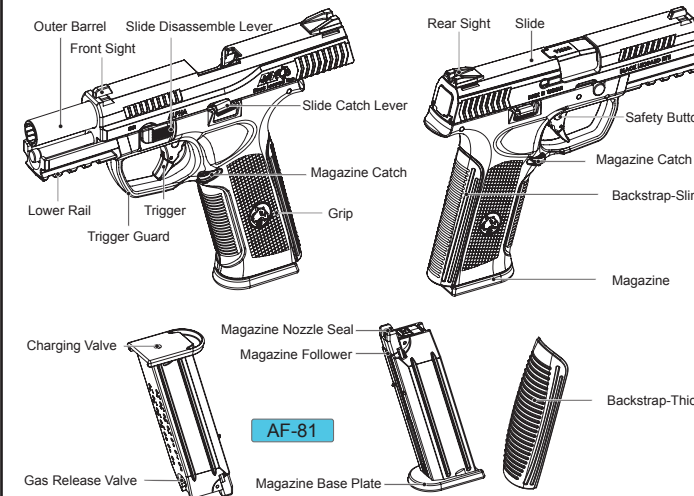




ALPHA
Black Leopard Eye
Ultimate Ambidextrous Pistol

Patent Acquired: US-D744,049S/ TW-D168399/ EU-No 002527564-001

1 PART DESCRIPTION



WARNING · ATTENTION

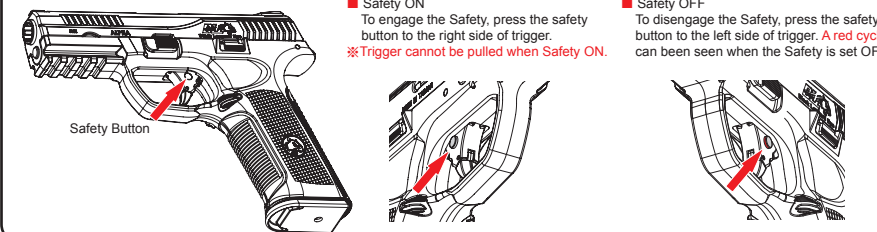
Never shoot with face or fingers close to the moving parts of the slide.



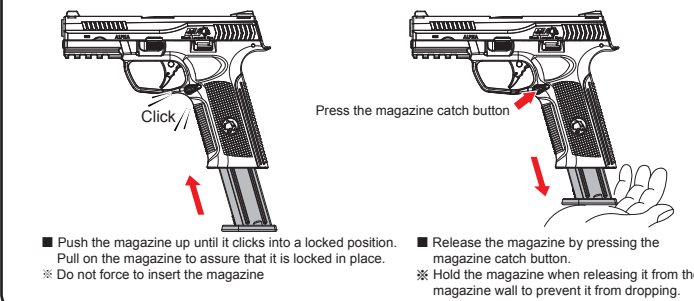
The slide is pushed by gas pressure, sliding it back and forth rapidly. To prevent injury, never ull the trigger with face or fingers close to the moving parts of the slide.

•The pistol could be damaged when temperature is above 40°C (104°F)

2 SAFETY DEVICE



3 LOADING MAGAZINE

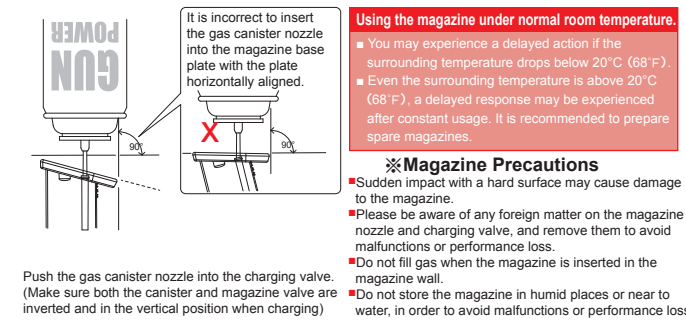


WARNING · ATTENTION

•Keep your finger off the trigger and out of the trigger guard until aligning the sights with your target and you are ready to fire.

•After you are finished shooting, remove the magazine and visually examine the open chamber to ensure no remaining BBs.

4 CHARGING GAS



Using the magazine under normal room temperature.

• You may experience a delayed action if the surrounding temperature drops below 20°C (68°F).
• Even the surrounding temperature is above 20°C (68°F), a delayed response may be experienced after constant usage. It is recommended to prepare spare magazines.

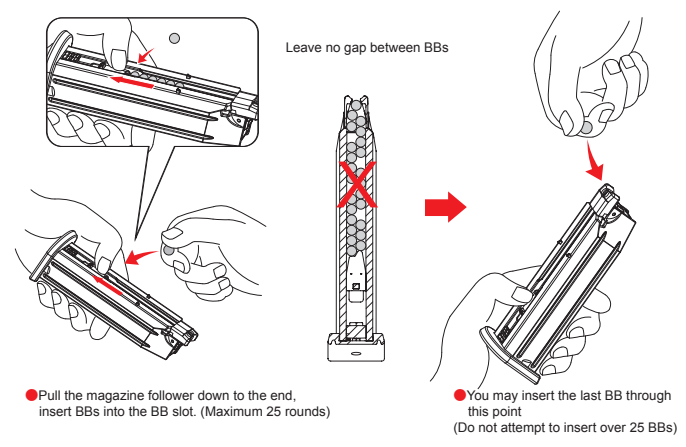
Magazine Precautions

• Sudden impact with a hard surface may cause damage to the magazine.
• Please be aware of any foreign matter on the magazine nozzle and charging valve, and remove them to avoid malfunctions or performance loss.
• Do not fill gas when the magazine is inserted in the magazine wall.
• Do not store the magazine in humid places or near to water, in order to avoid malfunctions or performance loss.

• Never use your hand or any skin surface to block gas leaking from the charging valve.
(Exposing the skin to gas flow may cause frostbite)

• Do not expose the magazine to direct sunlight or incineration, as it may cause the magazine to explode.

5 LOADING BBs

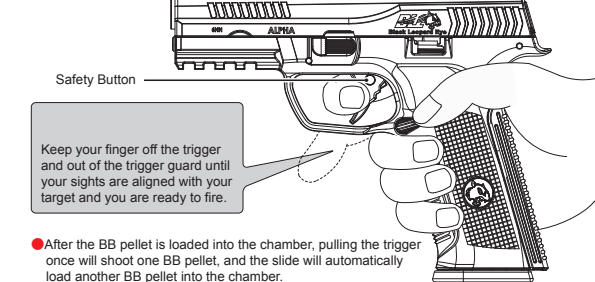


WARNING · ATTENTION

• Do not release the magazine follower abruptly. Releasing the magazine follower carelessly may damage the magazine lip.

7 SHOOTING

Press the safety button to the left side of the trigger to disengage the Safety. A red cycle can be seen when Safety is set OFF. Pull the trigger.



• Power Depression
The gas power decreases when the magazine temperature is too low. Below conditions may occur. The pistol can work normally again after the temperature is coming back above 20°C (68°F).

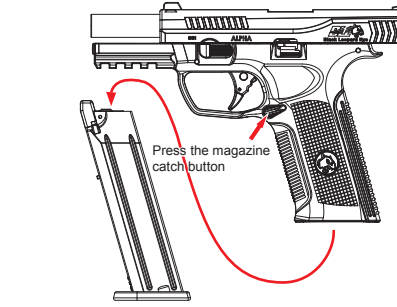
△ Delayed response of the slide.
△ The slide catch lever cannot catch the slide.
△ The shooting range is dropping.

Attention

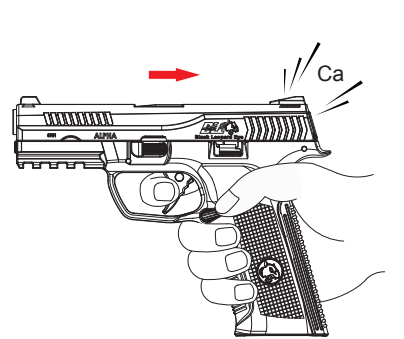
• The edge of the slide may be sharp, be careful not to hurt your hand when the slide is moving.
• Keep your finger off the trigger and out of the trigger guard until your sights are aligned on your target and you are ready to fire.

8 STORAGE

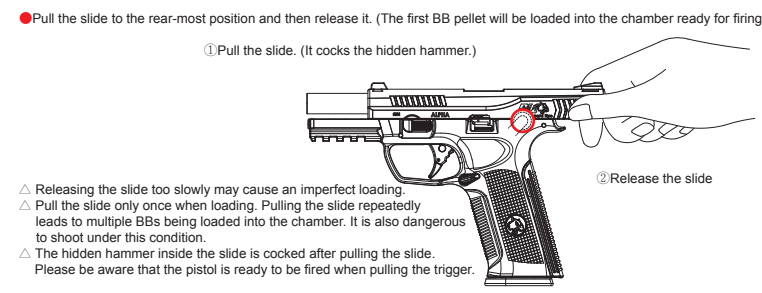
Press the magazine catch button to release the magazine. Check to make sure if the chamber is clear. Up side down the pistol to take out the remaining BB. (Use the cleaning rod to push out the remaining BB.)



Press the slide catch lever to release the slide. Pull the trigger and then store.



6 LOADING



Please read the instruction manual carefully [Attention · Instruction] , and fully understand each attention notice before using.

WARNING

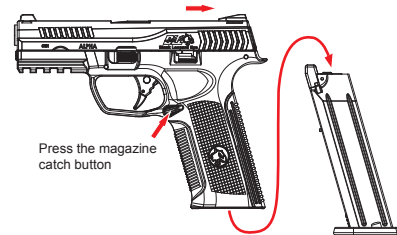
- Operation of this air gun is for training purposes only at legal training facilities.
- Users will follow all applicable air gun laws and regulations. Sales and usage are restricted to 18-year-old people or older.
- Plastic BB's can reach a distance of 50 to 60 meters, and up to 300 fps. Careless shooting and mis-handling may result in severe eye damage and/or other injuries. Always wear eye and body protection. Never point or shoot at people or animals.
- Always follow safety handling and precautions as listed in the manual.
- Fully understand all functions within this air gun. Use this air gun with full awareness of its precautions. Use within full compliance of State and local laws.

Keep away from children. Contact your Dealer for a replacement manual.

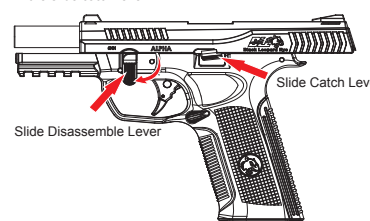
9 DISASSEMBLY (Do it when necessary)

It is necessary to do the main disassembly in order to adjust the H-up and maintenance.

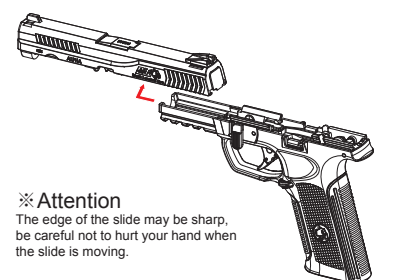
- Remove the magazine by pressing the magazine catch button.
- Pull back the slide to the end.



- Engage the slide catch lever into the slot on the slide.
- Turn the slide disassemble lever clockwise and then press the slide catch lever.



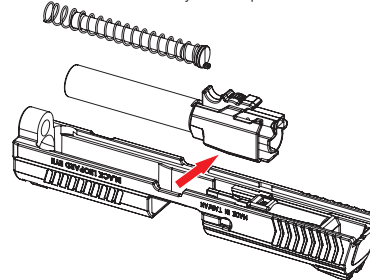
- Slide the slide forward, away from the frame.



※ Attention

The edge of the slide may be sharp, be careful not to hurt your hand when the slide is moving.

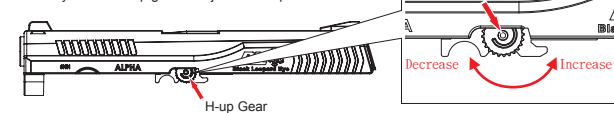
- Slide the outer barrel assembly forward. Pull up the rear part of the outer barrel assembly and then pull out.



10 H-UP ADJUSTMENT

- Adjust and test. (Perform shooting tests according to step 7.)

Follow step 9 to disassemble the outer barrel assembly. Slowly dial the H-up gear to adjust the H-up.



※ Dial the H-up gear counter-clockwise to make the pellet go up.

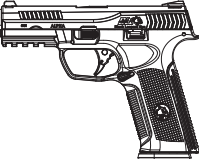
※ The BB pellet drops within a short range means the H-up is not enough. Increase the H-up to adjust the trajectory.

- ✗ Dial the H-up gear clockwise to make the pellet go down.

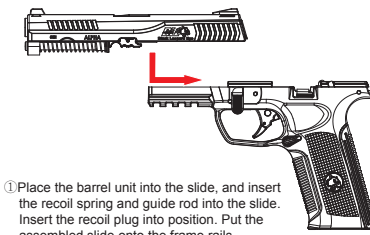
Best Trajectory ○

- ✗ Dial the H-up gear counter-clockwise to make the pellet go up.

Test several shots to adjust the H-up until the BB pellet is flying straightforwardly. ※ Do not need to adjust the H-up gear after the BB trajectory is straightforward.

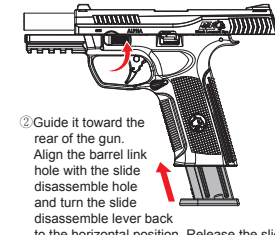


11 ASSEMBLY



- Place the barrel unit into the slide, and insert the recoil spring and guide rod into the slide. Insert the recoil plug into position. Put the assembled slide onto the frame rails.

※ Make sure below conditions before assembly.
- The slide disassemble lever should be in the position as shown.
- The hidden hammer should be in a slanted position.



- Guide it toward the rear of the gun. Align the barrel link hole with the slide disassemble hole and turn the slide disassemble lever back to the horizontal position. Release the slide. Cycle the slide back and forth to insure proper assembly.
- Insert the magazine back.

WARNING · ATTENTION

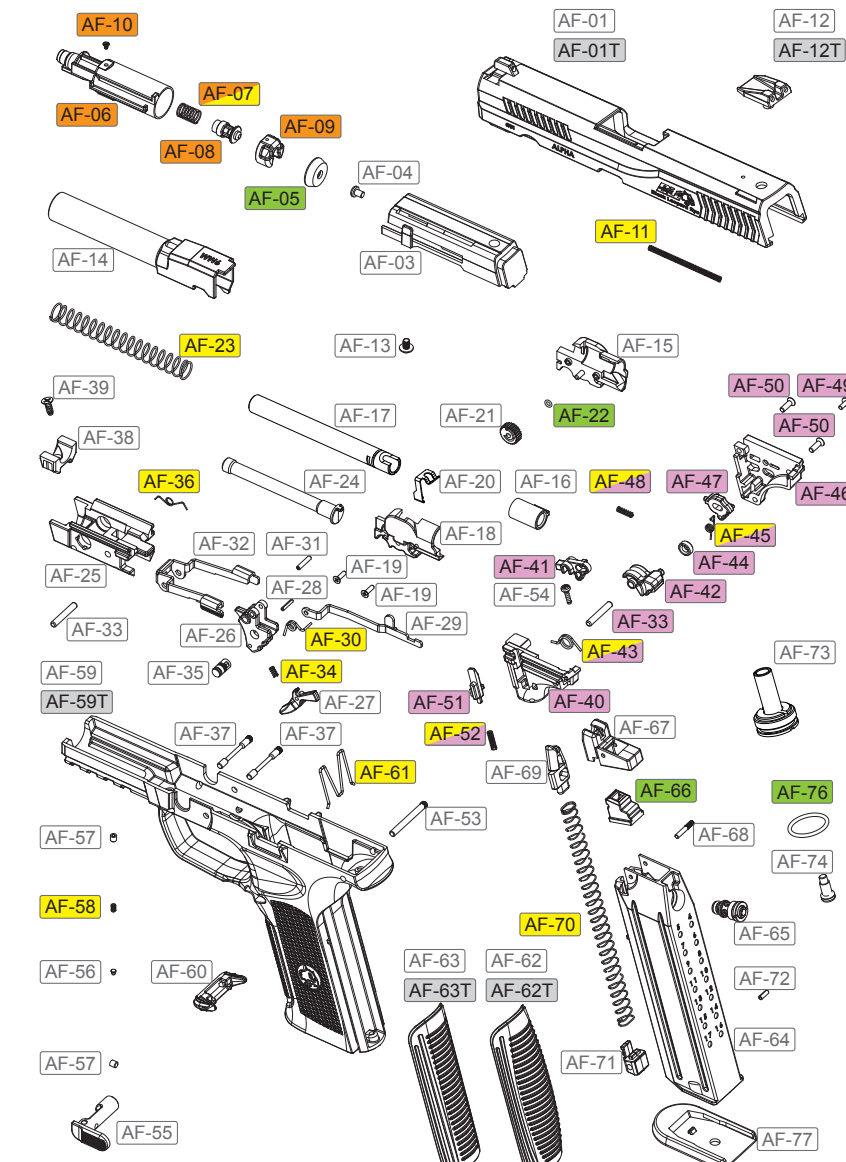
※ ICS is exempted from malfunction, accident, injury or any problem occurred by incorrect assembling or component lost from end users, and the repair expense due to the reasons mentioned above should be absorbed by end users.

12 BASIC TROUBLESHOOTING GUIDE

SYMPTOMS	POSSIBLE CAUSE	SOLUTIONS
No response	The safety is under "ON" position. (No firing)	Switch the safety to "OFF". (refer to step 2)
	Too much pressure inside the magazine.	Press the gas valve gently to release few pressure. Be careful of the gas spray direction.
	Not enough gas inside the magazine.	Charge gas into magazine (refer to step 4)
The slide blows back but no BB is shot out.	BB cannot be loaded into the chamber.	Load the first BB into the chamber (refer to step 5)
	BB jams inside the magazine.	Insert a 3mm plastic rod into the inner barrel two to three times to push out the BB.
	Magazine is too cold.	Use hand to warm up the magazine. (refer to step 4)
Will not complete cycle	Temperature is too low. (during the winter)	Use hand to warm up the magazine. (refer to step 4)
	Magazine is too cold.	
	No gas inside the magazine.	Charge gas into magazine (refer to step 4)
Slide jams	Lubricant or silicon oil is not enough.	Apply lubricant to the moving parts.
	BBs or foreign matters jam inside slide or frame.	Take out the BBs or foreign matters.
Gas comes out from the barrel	Slide disassemble lever is not released.	Turn the slide disassemble lever to release the slide.
	Temperature is too low. (during the winter)	Use hand to warm up the magazine. (refer to step 4)
BBs fly up	Magazine is too cold.	Use hand to warm up the magazine. (refer to step 4)
	H-up is over adjusted.	
Shooting range is too short (w/o adjusting H-up)	H-up is not enough.	Adjust the H-up gear counter-clockwise direction. (refer to step 10)
	Foreign matters or oil in the inner barrel.	Clean the inner barrel and H-up bucking.
BB's roll out of barrel	H-up is not enough.	Adjust the H-up gear counter-clockwise direction. (refer to step 10)
BB jams	H-up is over adjusted.	Adjust the H-up gear clockwise direction. (refer to step 10)
	Bad BBs, oversize BBs	ICS 6mm caliber BBs are recommended for optimum performance.
	Foreign matters or oil in the inner barrel.	Clean the inner barrel.

13 PARTS DIAGRAM

*The components/accessories for each model may have kind of differences depending on the actual goods. Images are only for reference.



14 PART DESCRIPTION

ITEM#	DESCRIPTION	Q'TY	ITEM#	DESCRIPTION	Q'TY
AF-01	Alpha Slide and Dummy Extractor	1	AF-43	ALPHA Hammer Spring	1
AF-01T	Alpha Slide and Dummy Extractor-TAN	1	AF-44	ALPHA Hammer Guide Wheel	1
AF-03	ALPHA Cylinder Housing	1	AF-45	ALPHA Hammer Bar Spring	1
AF-04	M1 Screw	1	AF-46	ALPHA Hammer Housing-Right	1
AF-05	ALPHA Valve Plate	1	AF-47	ALPHA Hammer Disconnecter	1
AF-06	ALPHA Cylinder	1	AF-48	ALPHA Hammer Disconnecter Spring	1
AF-07	ALPHA Valve Spring	1	AF-49	Round Head Hammer Housing Screw	1
AF-08	ALPHA Valve	1	AF-50	Flat Head Hammer Housing Screw	2
AF-09	ALPHA Cylinder Cover	1	AF-51	ALPHA Hammer Disconnect Pin	1
AF-10	ALPHA Cylinder Housing Spring	1	AF-52	ALPHA Hammer Disconnect Pin Spring	1
AF-11	Cylinder Housing Spring	2	AF-53	ALPHA Hammer Housing Pin	1
AF-12	ALPHA Rear Sight	1	AF-54	Hammer Housing Screw	1
AF-12T	ALPHA Rear Sight-TAN	1	AF-55	ALPHA Slide Disassemble Lever	1
AF-13	Rear Sight Screw	1	AF-56	ALPHA Slide Disassemble Lever Button	1
AF-14	ALPHA Outer Barrel	1	AF-57	Slide Disassemble Lever Screw	2
AF-15	ALPHA H-up Chamber-Right	1	AF-58	ALPHA Slide Disassemble Lever Spring	1
AF-16	ALPHA H-up Bucking	1	AF-59	ALPHA Frame	1
AF-17	ALPHA Inner Barrel	1	AF-59T	ALPHA Frame-TAN	1
AF-18	ALPHA H-up Chamber-Left	2	AF-60	ALPHA Magazine Catch	1
AF-19	ALPHA H-up Chamber Screw	1	AF-61	ALPHA Magazine Catch Spring	1
AF-20	ALPHA H-up Plate	1	AF-62	ALPHA Backstrap-Thick	1
AF-21	H-up Dial	1	AF-62T	ALPHA Backstrap-Thin-TAN	1
AF-22	O-ring	1	AF-63	ALPHA Backstrap-Thin	1
AF-23	ALPHA Recoil Spring	1	AF-63T	ALPHA Backstrap-Thin-TAN	1
AF-24	ALPHA Recoil Spring Guide	1	AF-64	ALPHA Magazine Case	1
AF-25	ALPHA Trigger Housing	1	AF-65	ALPHA Magazine Valve Assembly	1
AF-26	ALPHA Trigger	1	AF-66	ALPHA Magazine Nozzle Seal	1
AF-27	ALPHA Trigger Safety	1	AF-67	ALPHA Magazine Lip	1
AF-28	Trigger Safety Pin	1	AF-68	ALPHA Magazine Lip Pin	1
AF-29	ALPHA Trigger Bar	1	AF-69	ALPHA Magazine Follower	1
AF-30	ALPHA Trigger Bar Spring	1	AF-70	ALPHA Magazine Follower Spring	1
AF-31	Trigger Bar Spring Pin	1	AF-71	ALPHA Magazine Base Plate Stop	1
AF-32	ALPHA Slide Catch Lever Plate	1	AF-72	Magazine Base Plate Stop Pin	1
AF-33	Slide Catch Lever Plate Pin	2	AF-73	Alpha Magazine Gas Tube and Base	1
AF-34	ALPHA Trigger Spring	1	AF-74	Magazine Charging Valve	1
AF-35	ALPHA Trigger Safety Button	1	AF-75	O-ring	1
AF-36	ALPHA Slide Locking Plate Pin	1	AF-76	O-ring	1
AF-37	ALPHA Trigger Housing Pin-Short	1	AF-77	ALPHA Magazine Base	1
AF-38	ALPHA Slide Positioning Block	1	AF-78	ALPHA O-ring Pack	5
AF-39	Slide Positioning Block Screw	1	AF-79	ALPHA Spring Pack	13
AF-40	ALPHA Hammer Housing-Left	1	AF-80	ALPHA Cylinder Assembly	5
AF-41	ALPHA Hammer Bar	1	AF-81	ALPHA Magazine	1
AF-42	ALPHA Hammer	1	AF-82	ALPHA Hammer Assembly	15