

SRS-A1

Pull bolt / Push bolt

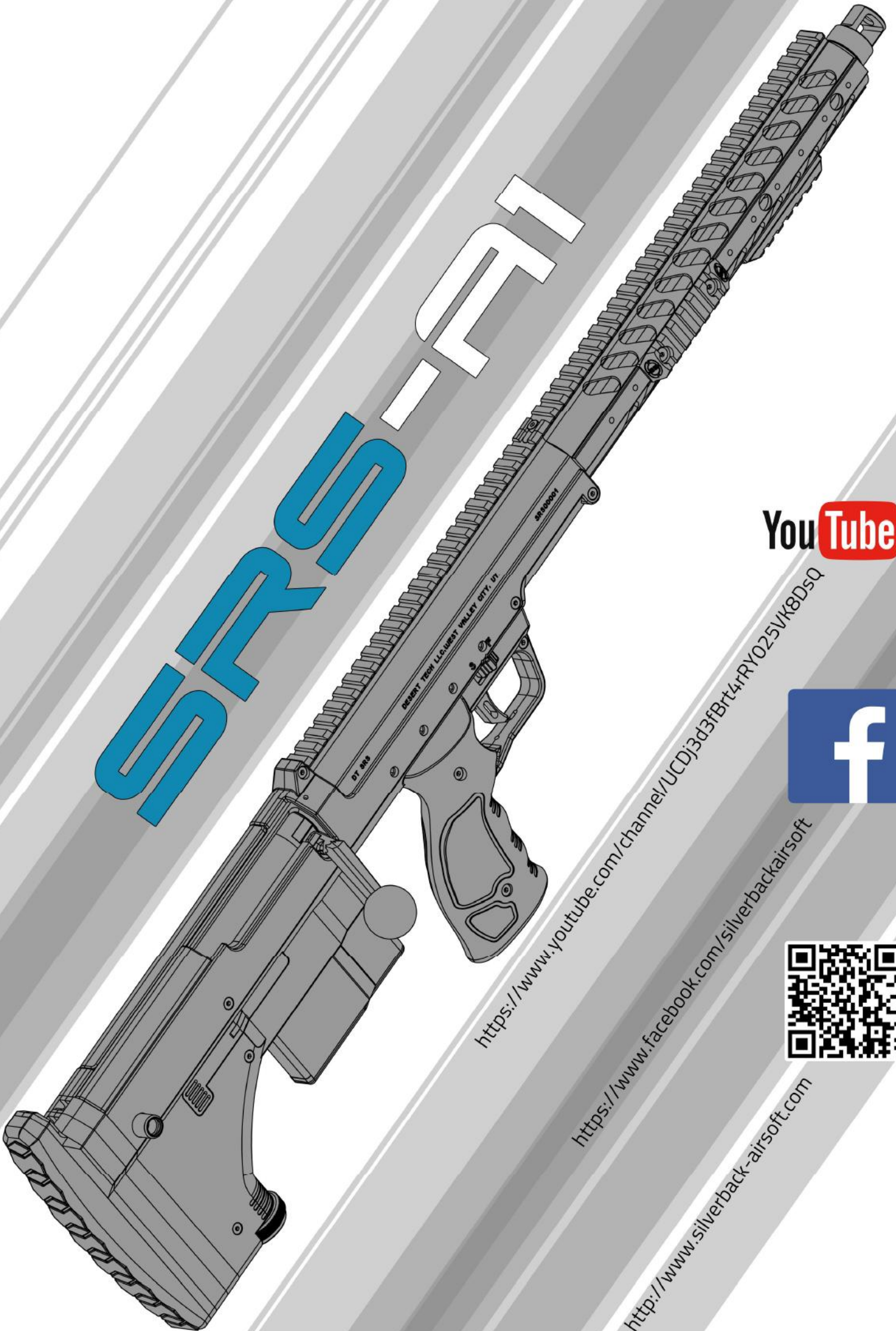
Right handed / Left handed

user manual



DESERTTECH
TOMORROWS WEAPONS

SARS-FBI



YouTube

<https://www.youtube.com/channel/UCDj3d3fBrt4rRY025VK8DsQ>



<https://www.facebook.com/silverbackairsoft>



<http://www.silverback-airsoft.com>

TABLE OF CONTENT

SAFETY.....	4
WARNINGS.....	4
DT & SRS PRESENTATION.....	5
BOX CONTENT.....	6
GUN DESCRIPTION.....	6
ASSEMBLY.....	7
HOPUP.....	7
BARREL.....	7
PULL BOLT & BUTTPLATE.....	8
PUSH BOLT & BUTPLATE.....	9
RAILS.....	10
SETTINGS.....	11
HOPUP.....	11
TRIGGER BOX.....	12
CHEEKPAD.....	12
BUTPLATE.....	12
OPERATION.....	13
SAFETY.....	13
MAGAZINE.....	13
SHOOTING (PULL BOLT).....	14
SHOOTING (PUSH BOLT).....	15
MONOPOD.....	16
MAINTENANCE.....	16
GREASING/OILING.....	16
CLEANING (BARREL/HOPUP).....	16
STORAGE.....	16
OPTION SPARE PARTS.....	17
EXPLODED VIEWS.....	23
PARTS LIST.....	23
NOMENCLATURE.....	24
MAGAZINE.....	24
CHASSIS (RIGHT HANDED).....	25
STOCK (RIGHT HANDED).....	25
CHASSIS (LEFT HANDED).....	26
STOCK (LEFT HANDED).....	26
PUSH BOLT.....	27
PULL BOLT.....	27
BARRELS.....	28
MONOPOD.....	28
SPECIFICATIONS.....	29
MATERIALS.....	29
SIZE/WEIGHT.....	29
SERIALS NUMBERS.....	30

SAFETY

READ THIS MANUAL CAREFULLY BEFORE USE, users should obey to laws regarding usage and ownership of airsoft guns in their country. Misuse or careless use may cause serious injury. Always treat airsoft gun as if it is loaded and with the same respect as you would treat a firearms. Don't look into the airsoft gun muzzle. Never point the airsoft gun at something you don't intend to shoot. Users should always wear safety glasses. Always carry this airsoft gun in a bag or a case and never display it in public places. Always keep the airsoft gun safety on "safe" position until ready to shoot in a safe direction. Always check that the airsoft gun safety is on "safe" position and unloaded when getting it from another person or from storage. Don't put this airsoft gun away or in storage while loaded. Don't shoot at hard surfaces or at a water surface as bbs could bounce or ricochet and hit someone or something you were not intending to hit. Always use high quality 6mm plastic bbs and never use already shot bbs, it might damage your airsoft gun. Always store this airsoft gun in a secure position, out of reach of children. Don't modify or alter your airsoft gun, attempt to modify the airsoft gun may make you airsoft gun unsafe to use and/or cause serious injury and/or void the warranty. **WE'RE NOT RESPONSIBLE FOR ANY MALFUNCTION, ACCIDENTS, INJURIES OR REPAIR COST RESULTING FROM MISUSE, DISASSEMBLY AND/OR MODIFICATION OF THIS AIRSOFT GUN.**



WARNINGS

- Take care of the feeding tube during barrel change to avoid to damage it.
- Do not untight too much the 4 barrel screw while changing the barrel, or you will damage the right stock panel.
- Do not overtight hopup screws or you will damage hopup rubber.
- In case of complete inner barrel disassembly, do not overtight lateral screws or you will damage the inner barrel.
- Do not prime the bolt while the safety is engaged or you will damage the trigger rod.
- For pull bolt, do not pull the trigger while the bolt is not lock or you will damage the receiver.
- For push bolt, do not lift the bolt handle while the gun is prime or you will damage the buttplate.
- Using the trigger preload at maximum will generate safety problems and probably slam-fire problems.
- Do not overload the magazine or you will damage magazine spring.
- Do not blank fire without barrel assembly or you will damaged the receiver.
- For storage, keep steel parts greasy to avoid rust.
- Do not use the gun without greasing the outside of the bolt (except the nozzle).
- Do not apply any grease/oil inside the hopup and/or the barrel.
- For push bolt, do not try to remove the buttplate if the bolt is in rear position.
- For Sport SRS, you have to remove knurled hopup screws before to remove the barrel.
- For 20" barrel, keep the bolt closed during barrel changes to ensure perfect bolt/barrel alignment.
- Be sure no bbs are remaining in the hopup and feeding tube before removing a barrel.



DESERT TECH®

TOMORROWS WEAPONS

Desert Tech, formerly Desert Tactical Arms, has been building a better rifle since 2007 when we realized the demands of future battlefields exceeded the capabilities of current platforms. We decided then to build our rifles more accurate, more compact, more convertible for an increasingly complex world.

Our R&D department is tasked daily to fuse ground-breaking engineering with American ingenuity so that skilled machinists on state-of-the-art mills and lathes can shape battle-tested materials into Tomorrow's Weapons. Each Desert Tech rifle that enters our network of nationwide dealers and international distributors is both ergonomically and ballistically superior to any other production rifle on the planet.

Desert Tech also offers select, premium, match-grade munitions as well as world-class precision instruction across the 25,000 acres of natural terrain and sophisticated training bays at our private facility. These features compliment a complete package of detail-driven customer service for the modern-day warrior, hunter or competition shooter who demands peak performance with each and every trigger press of a Desert Tech SRS, Covert, HTI or MDR.

From concept to recoil, we are creating uncommon and uncompromising firearms with the sole intent of arming serious shooters to the very edge of their abilities and beyond. At Desert Tech, we're building Tomorrow's Weapons and it begins with a better rifle today.

The Stealth Recon Scout A1 (SRS-A1) is the most versatile Sniper Rifle system in the world. It is nearly a foot shorter than conventional sniper rifles, maintains 1/2 MOA or better accuracy with DTM Ammunition, and can be easily adapted to individual mission requirements by changing the weapon's caliber and length. Whether a police sniper is shooting 50 yards or a military sniper is shooting a mile the SRS offers unrivaled flexibility in a package shorter than the M16 battle rifle.

Accuracy

The SRS achieves superb accuracy in all calibers because it's built around core accuracy components:

1. Match grade (free-floated) barrels, chambers, and crowns
2. High quality match trigger
3. Solid, repeating return-to-zero barrel mounting system (the receiver securely clamps around the first six inches of barrel)

Quick Caliber Conversion

The SRS is quickly convertible between the following calibers: .308 Winchester (22" and 26" barrels), .260 Remington, 6.5x47 Lapua, 7mm Winchester Short Mag, .300 Winchester Magnum, .338 Norma Magnum, and .338 Lapua Magnum. The caliber conversion and return to zero is simple and takes less than 60 seconds.

Benefits:

1. Operators can change rifle length, penetration, and distance capabilities.
2. Snipers can shoot various ammo calibers and types depending on METT-T.
3. Snipers can progressively train on more powerful ammo.
4. Reduced training costs (train and practice with .308 WIN)
5. Reduced system down-times (the operator can change his own barrels).

Compact

The SRS is the shortest purpose-built sniper rifle in the world. The telescoping bolt and bullpup configuration make it almost a foot shorter than conventional Mauser-style turnbolt sniper rifles. The compact design shifts weight and center-of-gravity rearward, creating a perfectly balanced and relatively short sniper rifle.

Rugged

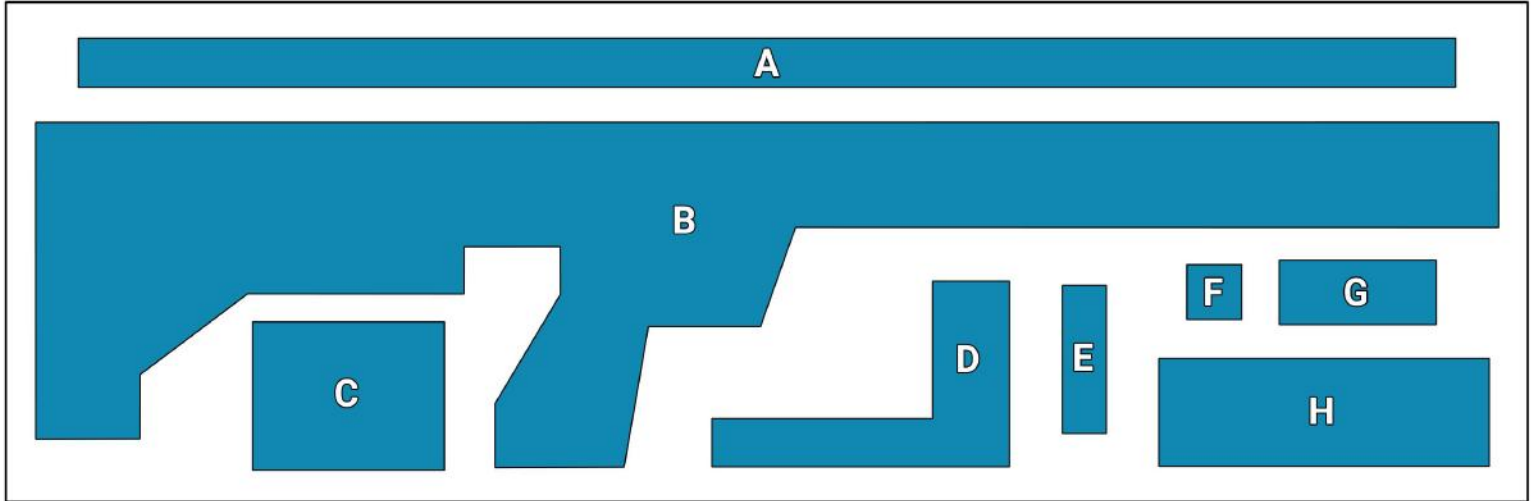
The SRS was designed to operate under the harshest conditions and abuse. It is built of high-impact polymers; aircraft grade aluminum (ANSI 7075-T6); ultra high-strength steels; and some of the most durable coatings known to man. The monolithic receiver serves as a full length mounting chassis, eliminating the need for any sort of receiver-to-stock bedding interface. Ergonomic stock panels attach directly to the receiver.

The SRS maintains its accuracy and reliability in virtually any environment, including subzero arctic temperatures, extreme desert heat and dust, and wet jungle environments.

Nicholas E Young

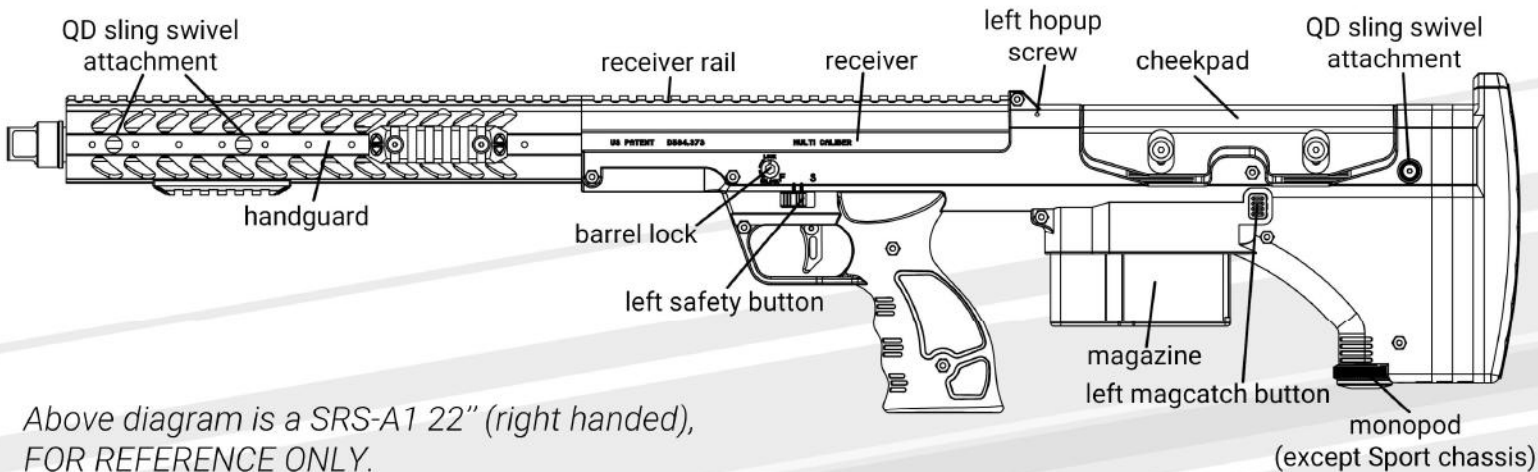
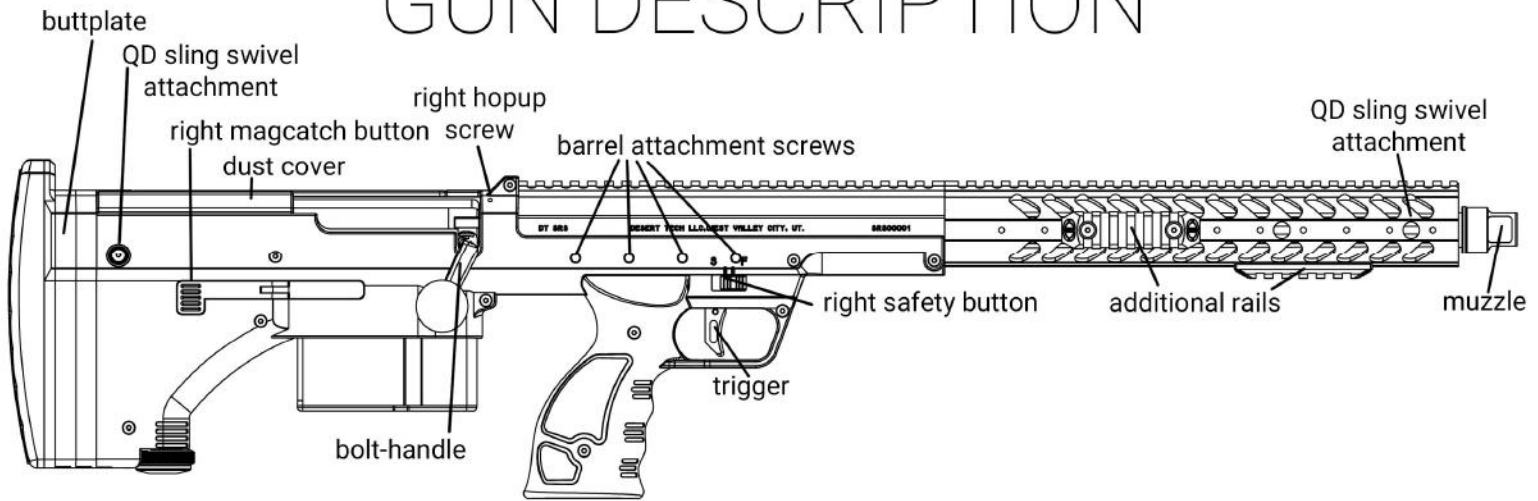


BOX CONTENT



	A	B	C	D	E	F	G	H
SRS-A1 16" Covert	16" barrel	SRS-A1 Covert chassis	magazine	bolt	3 rails	grease	tools & screws	buttplate
SRS-A1 20" Sport	/	SRS-A1 Sport chassis w/ 20" barrel			1 rail			
SRS-A1 22"	22" barrel	SRS-A1 chassis			3 rails			
SRS-A1 26"	26" barrel							

GUN DESCRIPTION

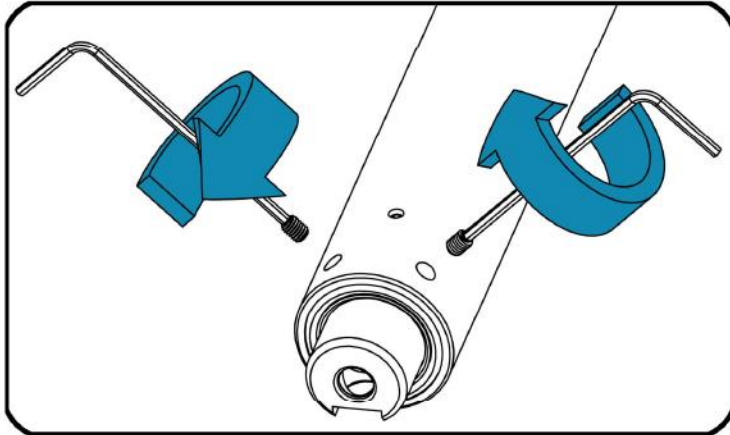


Above diagram is a SRS-A1 22" (right handed),
FOR REFERENCE ONLY.

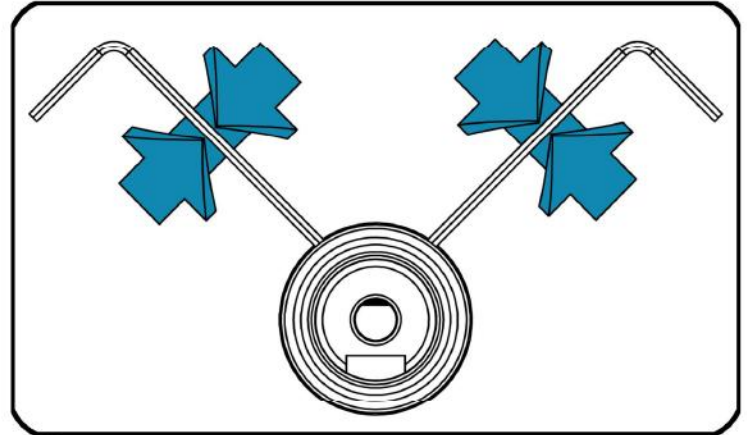
(except Sport chassis)

ASSEMBLY

HOPUP (SRS Sport hopup is pre-install)

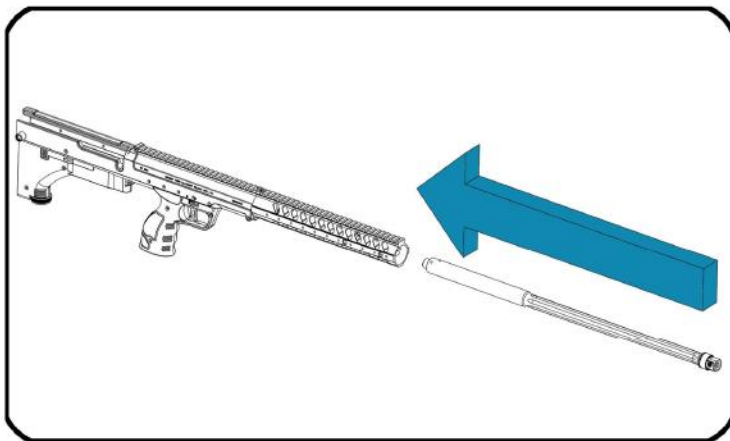


- 1 Install the two hopup screws (M3x4) from the screw set bag. ⚠️ If you're using long knurled hopup screws, you have to assembly the barrel inside the gun before to assembly hopup screws

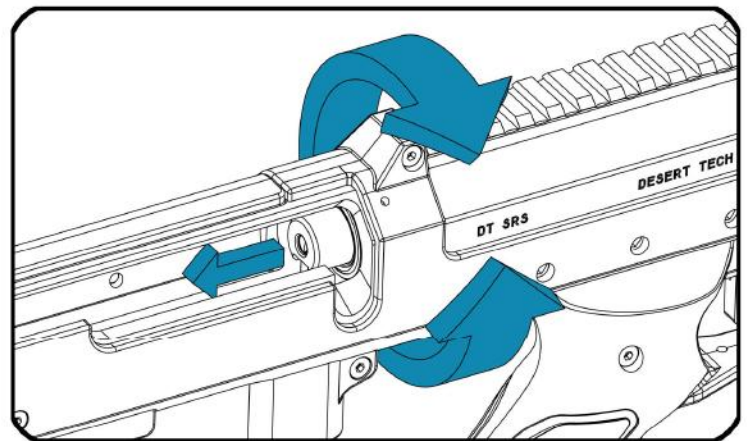


- 2 Finely tune the hop up setting (flat hop up rubber as shown here). ⚠️ If hopup action is too weak, bbs won't hold the correct position in the chamber, if hopup action is too strong, jamming could occur.

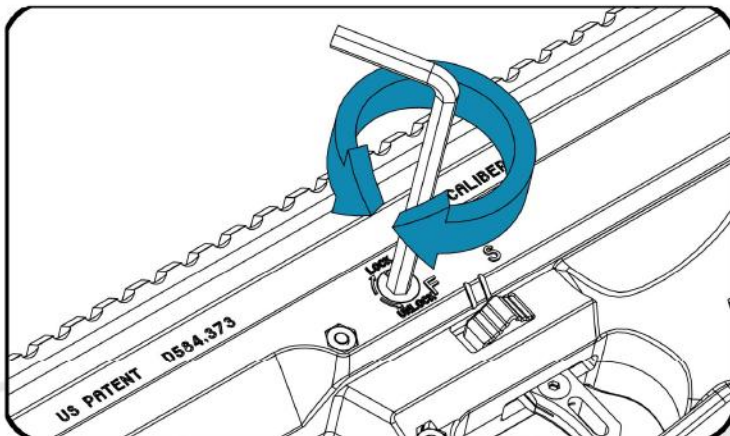
BARREL (SRS Sport barrel is pre-install)



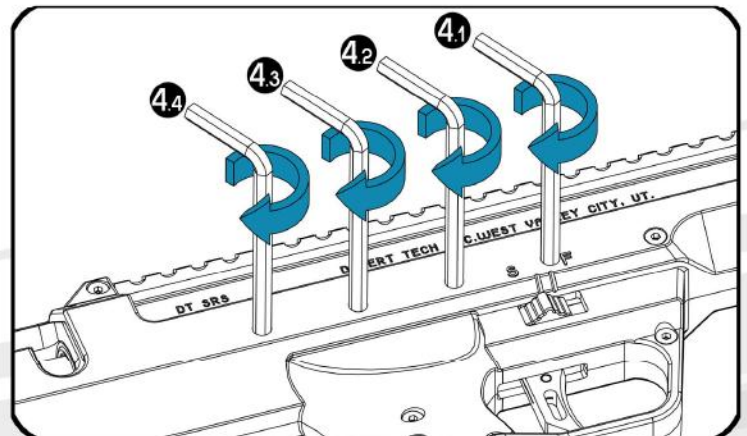
- 1 Gently insert the barrel inside the receiver.
- ⚠️ Make sure that the barrel lock is on «UNLOCK» position.
 - ⚠️ To ensure perfect fitting with the bolt, it's better to proceed with the bolt head engaged and closed.



- 2 Rotate and slide the barrel until the hopup fits onto the BB-tube.
- ⚠️ DO NOT APPLY EXCESSIVE FORCE ON THE BB-TUBE.

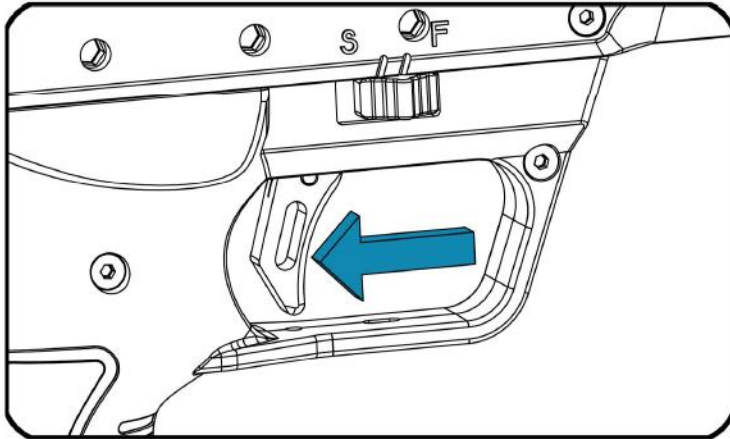


- 3 Set the barrel lock to «LOCK» position.



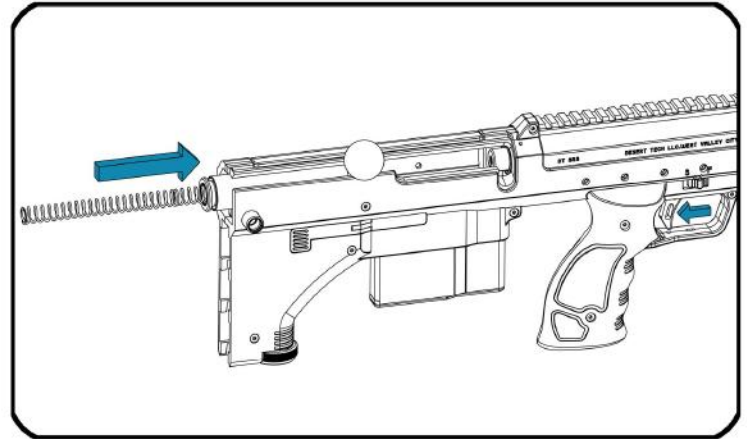
- 4 Secure the barrel by tightening the 4 barrel screws, from muzzle to bolt side (and reverse order for removal).

PULL BOLT & BUTTPLATE

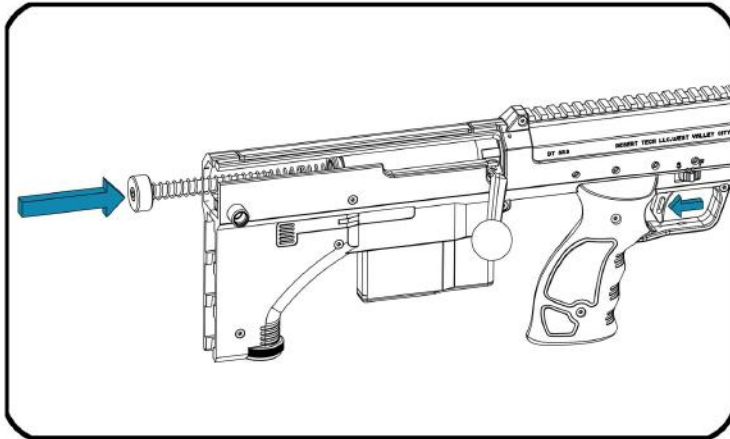


1 Pull the trigger.

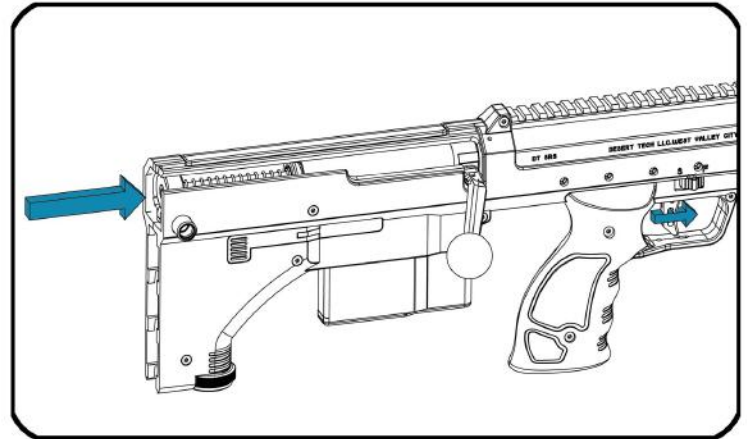
! Make sure that safety is off before pulling the trigger.



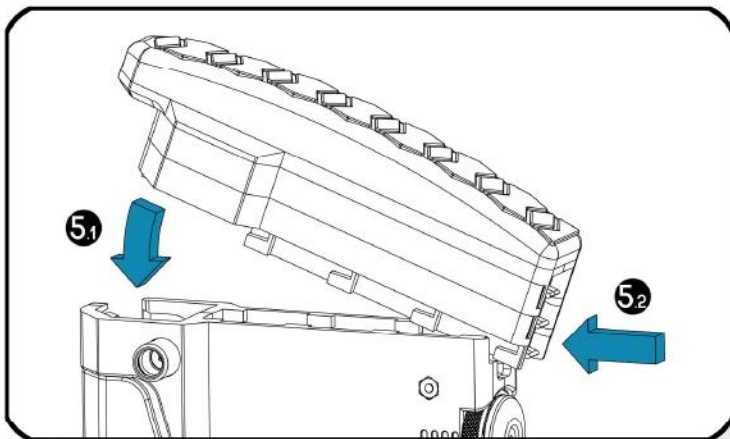
2 While the trigger is pulled back, slide the bolt head, the cylinder assembly, the piston & spring inside the receiver.



3 While the trigger is still pulled back, insert the spring guide inside the spring. Push on the end of the spring guide, compressing the spring inside the end of the receiver.

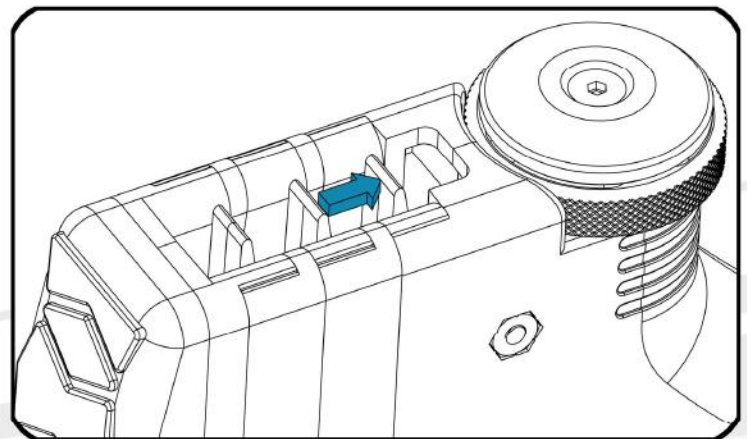


4 After pushing the spring guide inside the end of the receiver, release the trigger and push it forward. Keep forward pressure on the trigger in order to lock the spring guide inside the receiver.

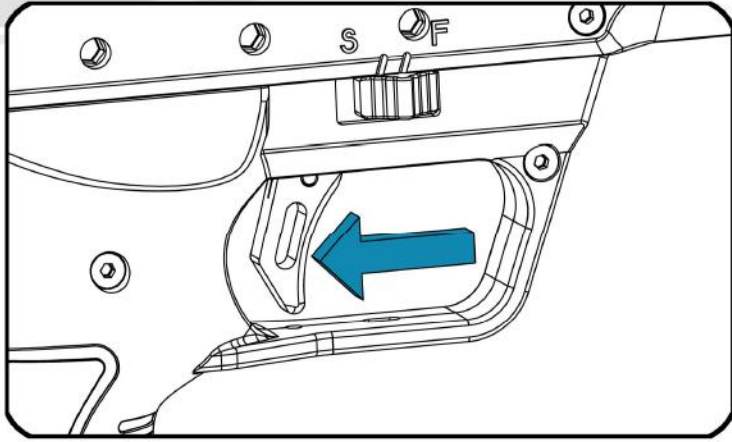


5 While the trigger is still pushed front, slide buttplate into place starting at the bottom and sliding up.

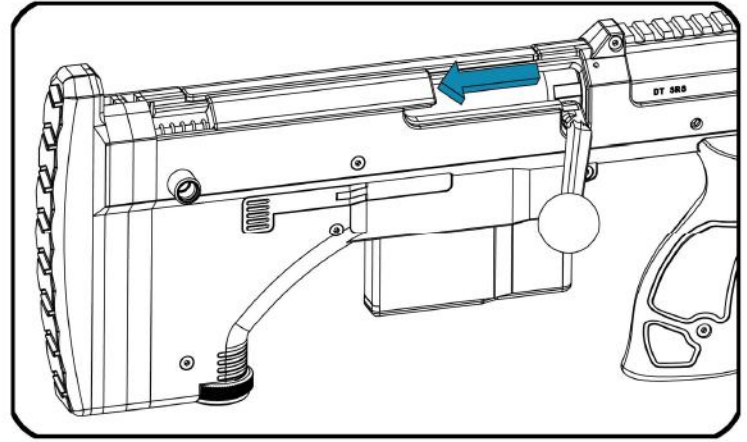
! Do not release the pressure on the trigger during this operation.



6 Make sure the tab is in the locked position (toward the receiver)

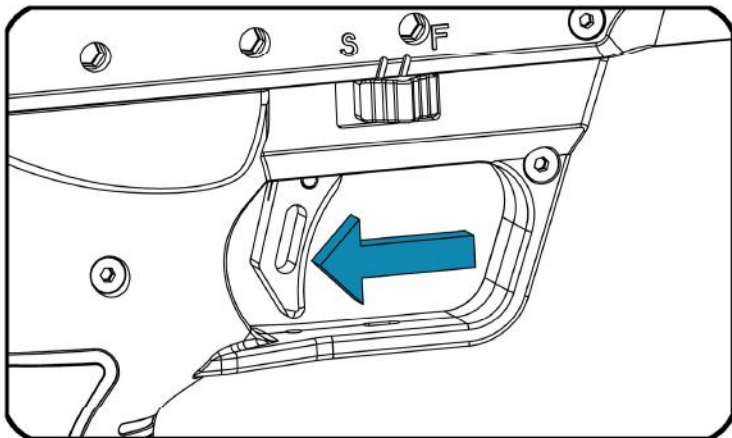


7 Pull the trigger to release the spring guide inside the buttplate.

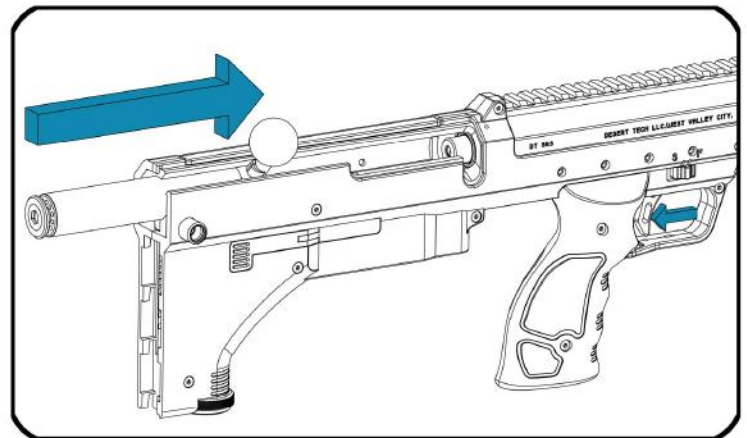


8 Insert the dust cover into the ejection window, then slide backward.

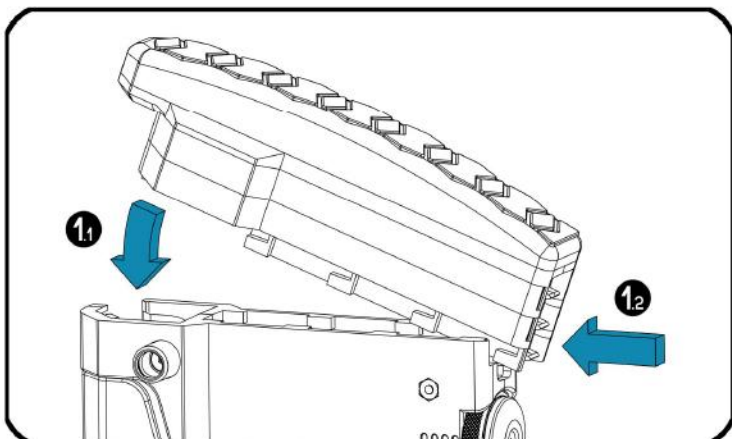
PUSH BOLT & BUTTPLATE



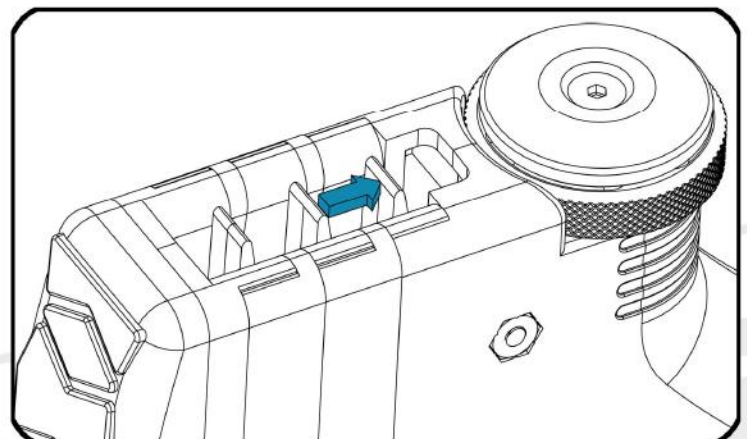
1 Pull the trigger.
⚠ Make sure that safety is off before pulling the trigger.



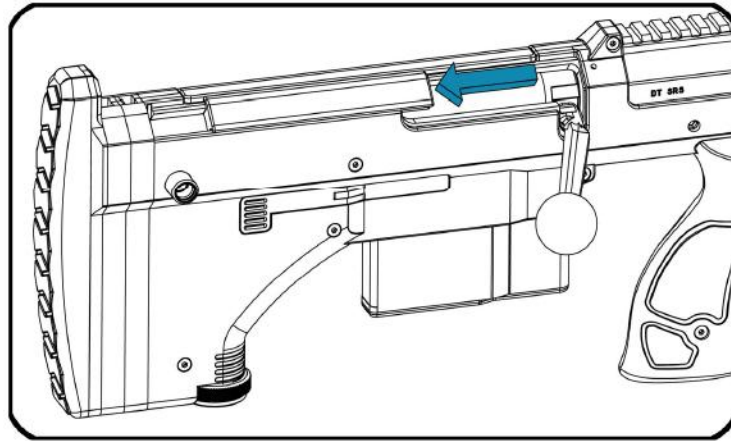
2 While pulling the trigger, fully engage the bolt inside the receiver.



1 Engage the buttplate by the bottom side, then slide it up.

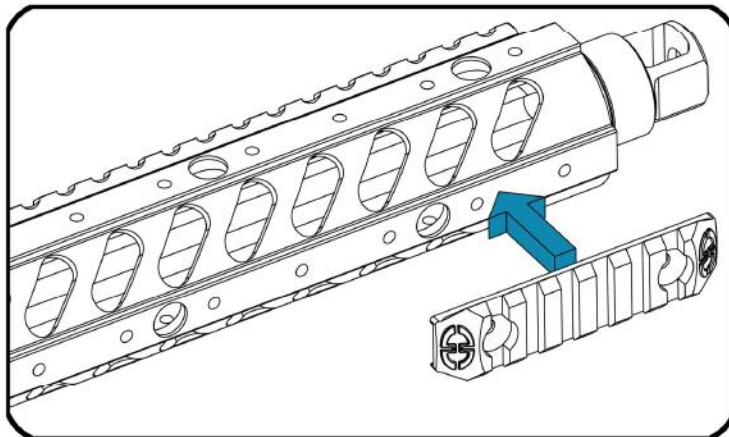


2 Make sure that the tap is in lock position.

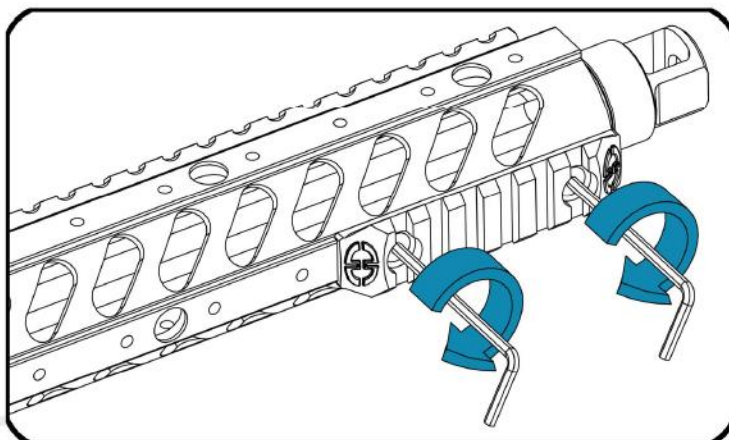


- 8** Insert the dust cover into the ejection window, then slide backward.

RAILS



- 1** Install the rail on the handguard in the desired position

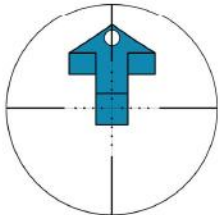


- 2** Secure the rail using two M4x7 screws from the screw set bag.

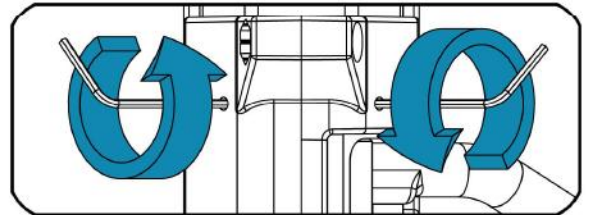
SETTINGS

HOPUP

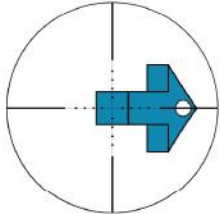
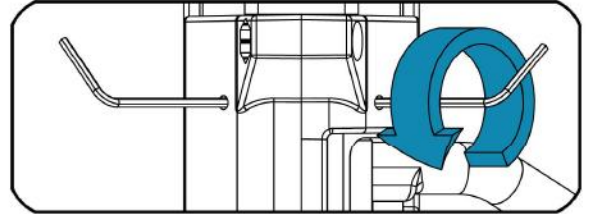
! SRS 20" Sport is coming with long knurled screws pre installed, allowing hopup adjustment without tool.
For SRS 16"/22"/26", you can also use these screws (from the screw set bag, please refer page 6 & 7).



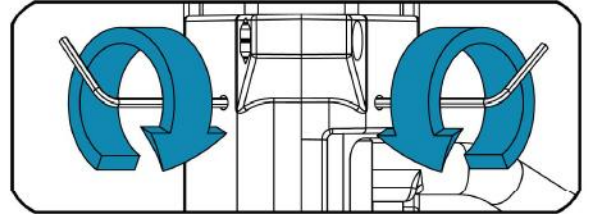
Case #1: too much hopup effect without side spin:
loosen both hopup screws equally.



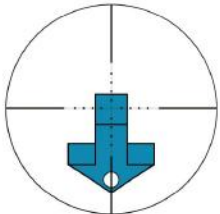
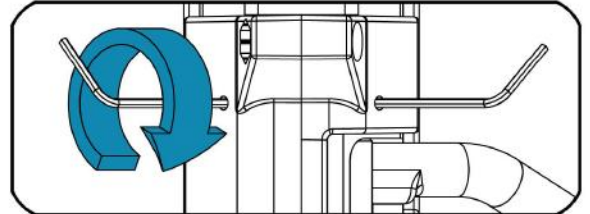
Case #2: too much hopup effect with right side-spin:
loosen right side hopup screw.



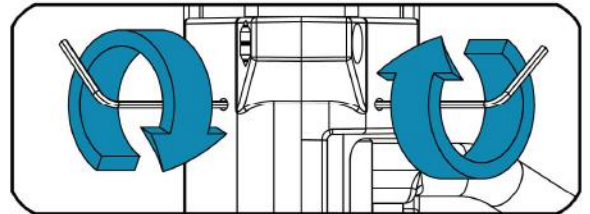
Case #3: good hopup effect with right side-spin:
loosen right side hopup screw, tighten left side
hopup screw.



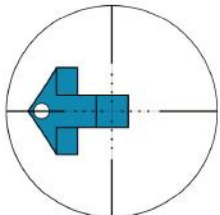
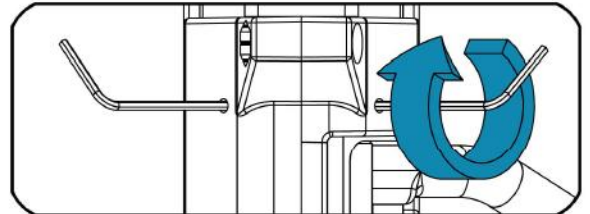
Case #4: not enough hopup effect with right side-spin:
tighten left side hopup screw.



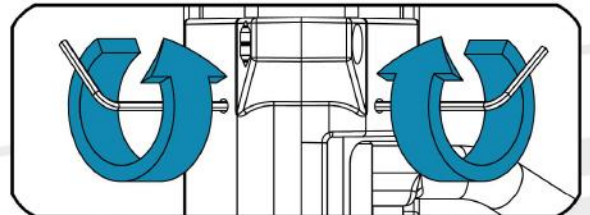
Case #5: not enough hopup effect without side-spin:
tighten both hopup screws equally.



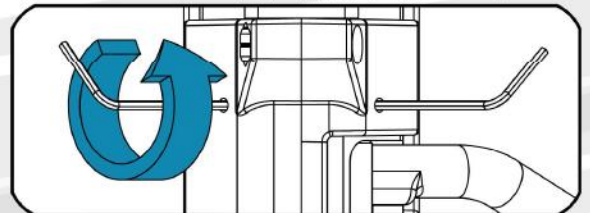
Case #6: not enough hopup effect with left side-spin:
tighten right side hopup screw.



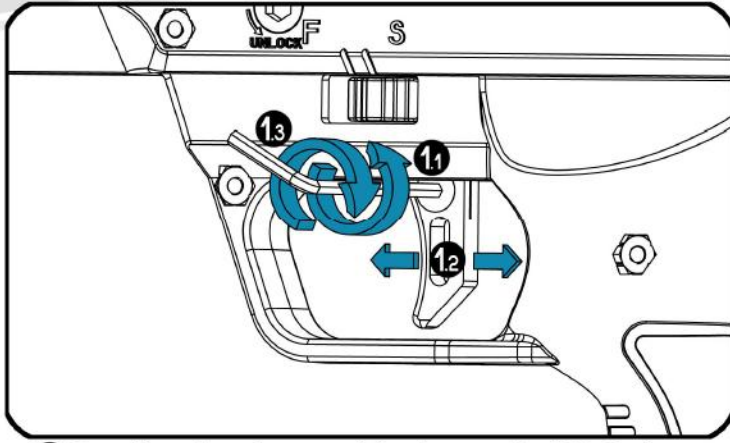
Case #7: good hopup effect with left side-spin:
tighten right side hopup screw, loosen left side
hopup screw.



Case #8: too much hopup effect with left side-spin:
loosen left side hopup screw.

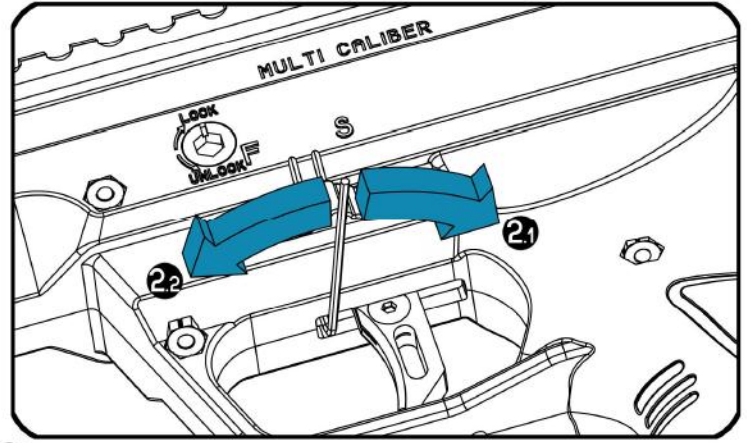


TRIGGER BOX



- 11 To adjust the trigger position, loosen the M3x6 trigger screw. 12 Slide the trigger forward or back to the desired position. 13 Tighten the M3x6 trigger screw to lock the position of the trigger.

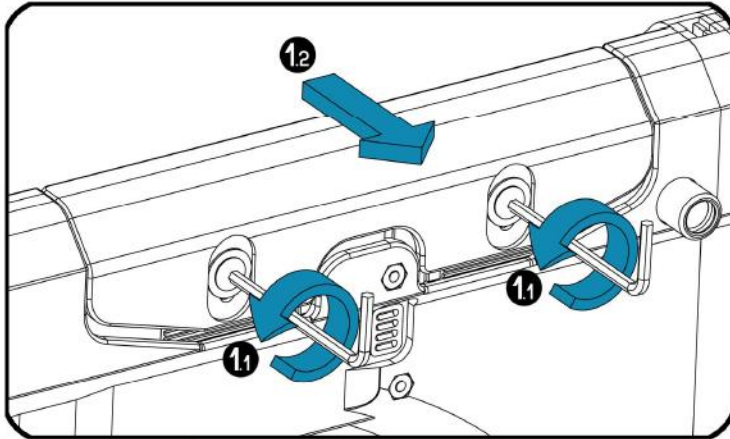
⚠ This adjustment is not available for SRS Sport.



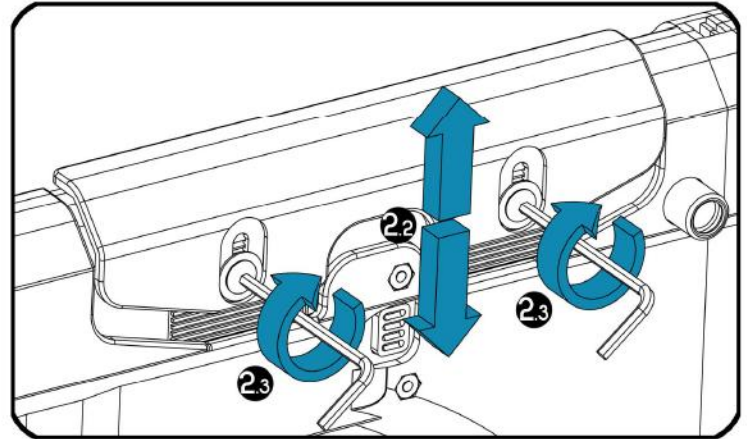
- 21 To adjust the trigger pull weight, tighten the M3x12 trigger screw to increase the pull weight. 22 Loosen the M3x12 trigger screw to decrease the trigger pull weight.

⚠ Excessive high trigger weight adjustment will disable safety use, and disable safe piston sear action.

CHEEKPAD

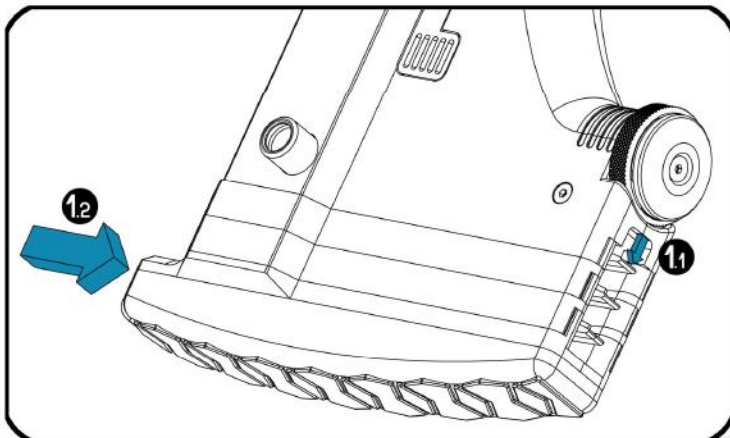


- 11 Loosen the two M5x6 screws.
12 Slide the cheek pad outward.

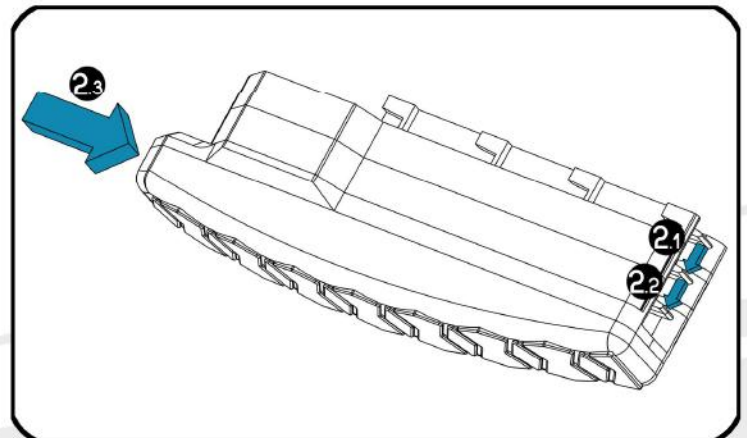


- 22 Adjust the cheekpad position (six positions allowed).
23 Tighten the two M5x6 screws to lock the position of the cheek pad.

BUTTPLATE



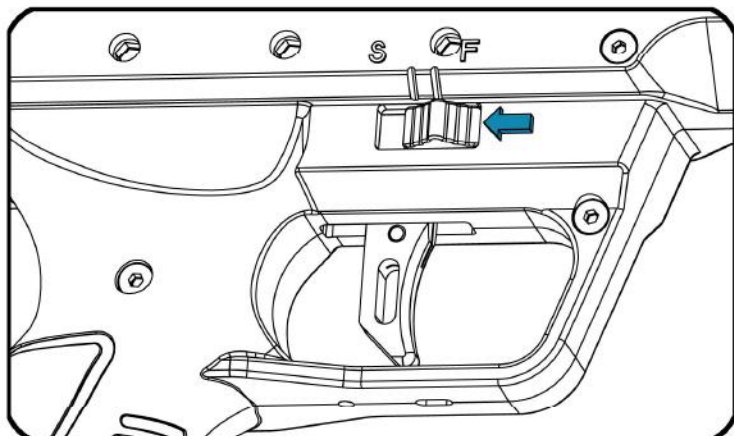
- 11 While pressing the tab backwards, 12 push the buttplate down to remove it. ⚠ Using the end buttplate spacer (SRS214) is mandatory for pull bolt, and using at least one buttplate spacer is highly recommended. For push bolt SRS, make sure the bolt is in forward position before to remove the buttplate.



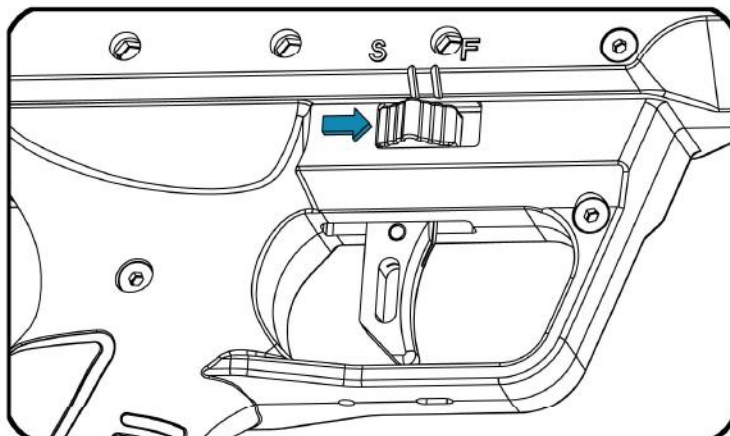
- To remove a buttplate spacer, 21 while pressing the tab backward, push the buttplate downward 22. 22 Repeat this to remove two layers.
⚠ These operations are easier to proceed while the buttplate is engaged inside the stock.

OPERATION

SAFETY

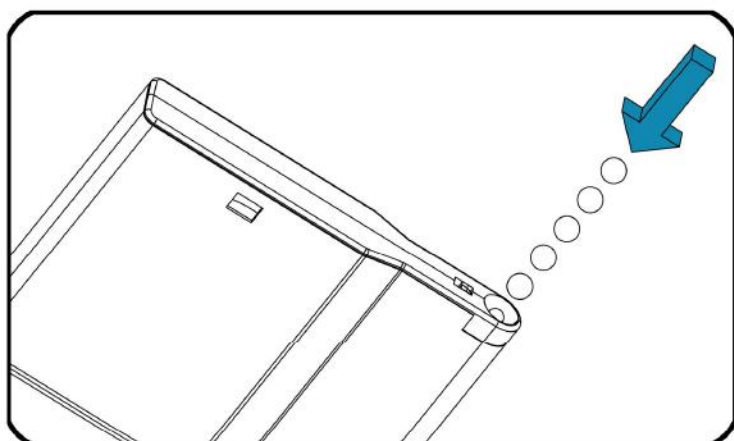


- 1 Slide the safety button (right or left) to «S» position to engage the safety.

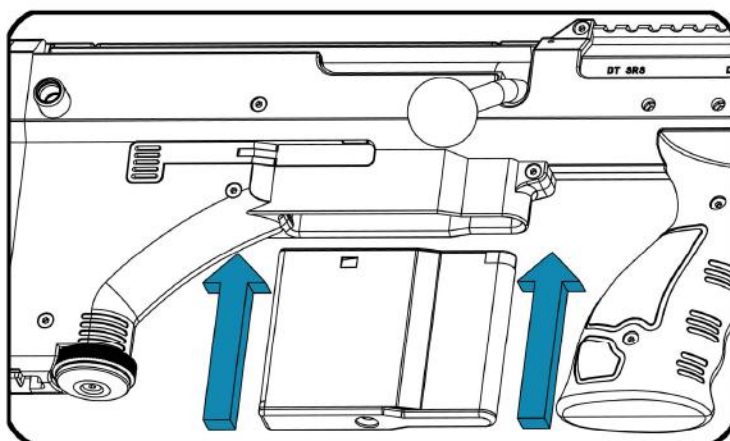


- 2 Slide the safety button (right or left) to «F» position to disengage the safety.

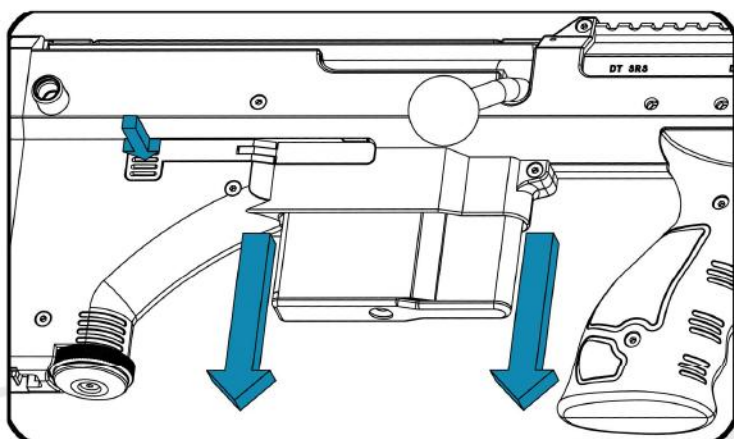
MAGAZINE



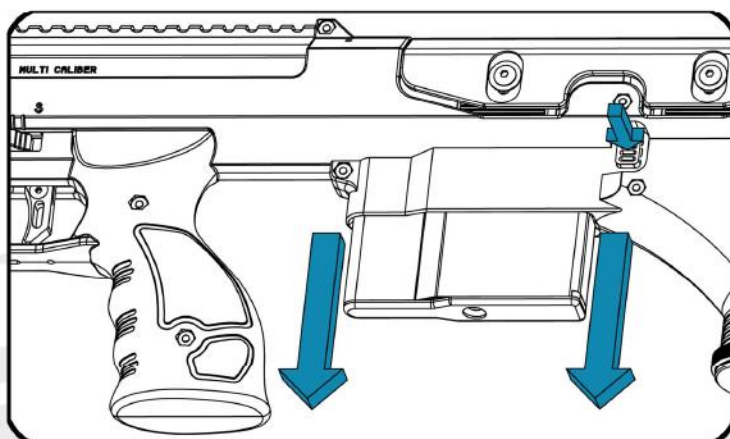
- 1 Insert 6 mm bbs inside the magazine (by hand or using a bb loader). Magazine capacity: 30 bbs.



- 2 Insert the magazine firmly to ensure correct magazine retention.

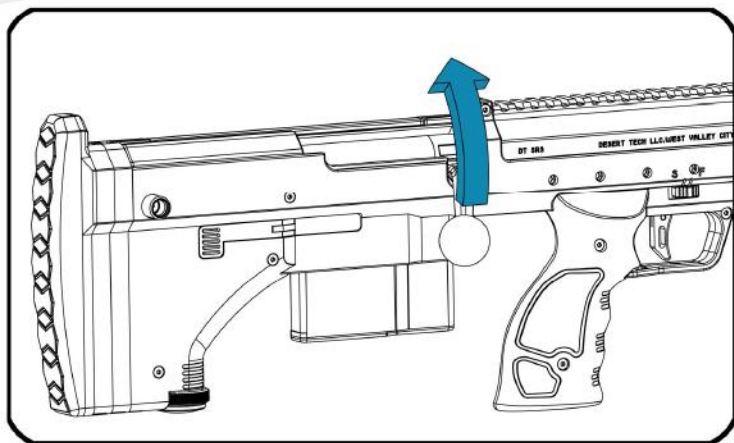


- 3 To remove the magazine, pull the magazine down after depressing the right side magazine release button.

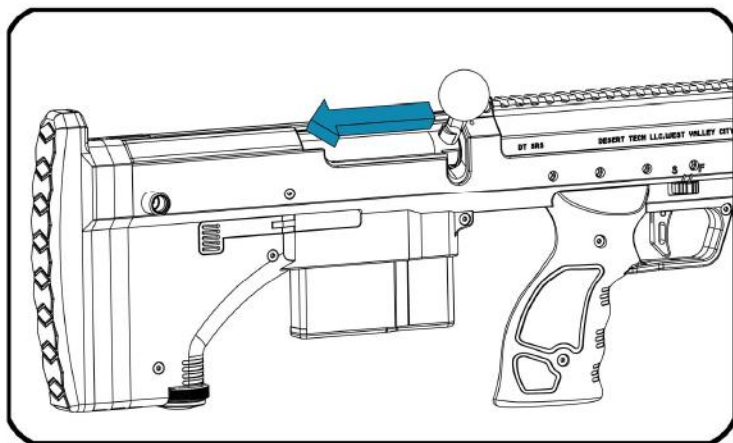


- 4 You can also remove the magazine using the left side magazine release button.

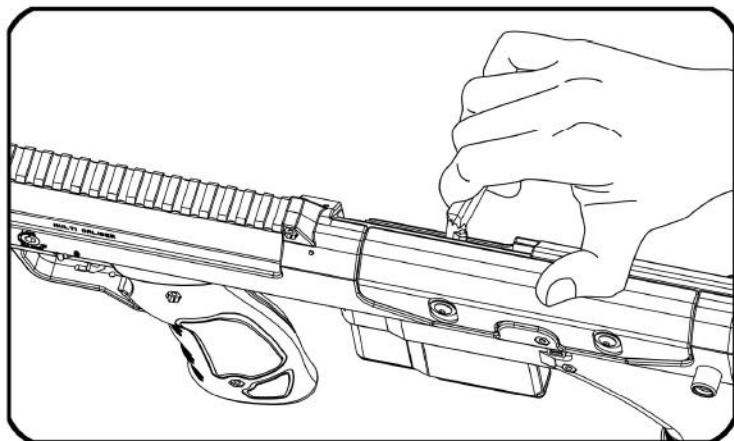
SHOOTING (PULL BOLT)



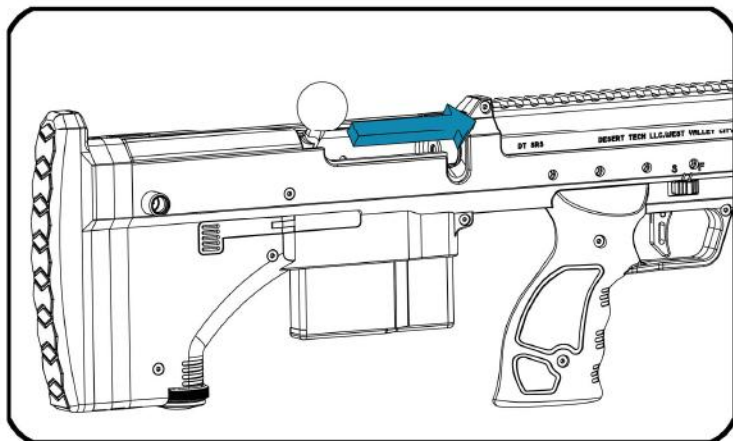
- 1** Pull up the bolt handle.
⚠ Make sure that the bolt is not already armed to avoid double feed.



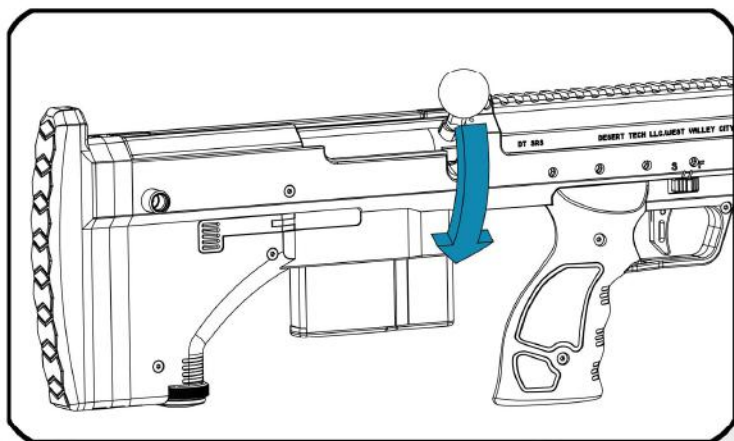
- 2** Move the bolt backward to compress the spring and lock the piston sear (until it clicks).



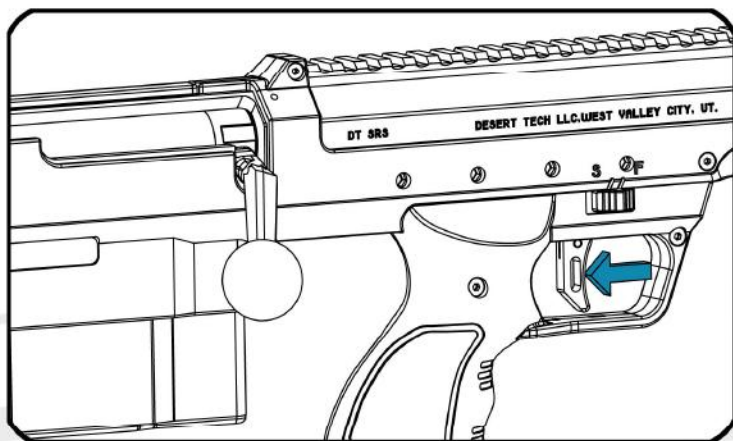
- 3** It is recommended that you pull the bolt by grabbing the bolt handle as close to the cylinder as possible (to reduce friction and ease priming movement).



- 4** Push the bolt forward to engage a bb inside the hopup (you can visually check inside the hopup if your magazine is empty).

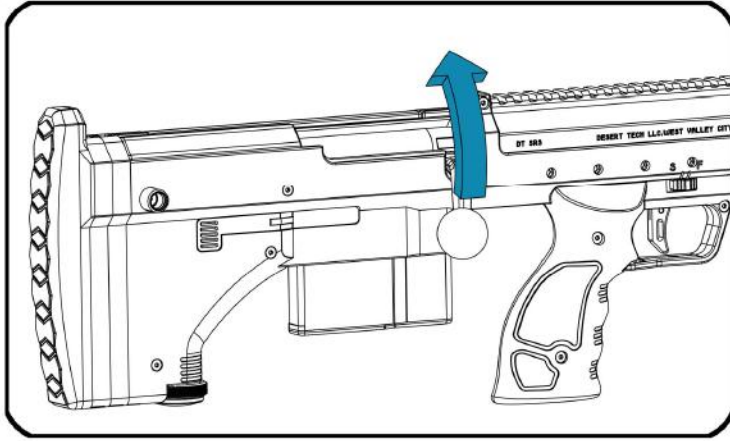


- 5** Lock down the bolt handle to lock the bolt.

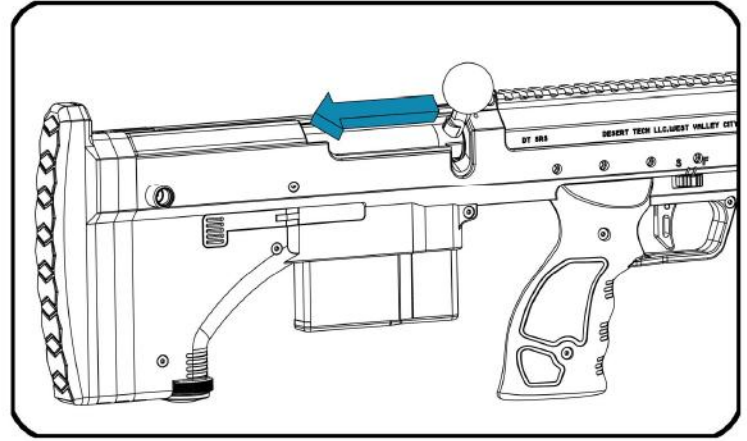


- 6** Pull the trigger to shoot.
⚠ Be sure safety is off.
⚠ Do not shoot without barrel assembly installed, it will damage the receiver.

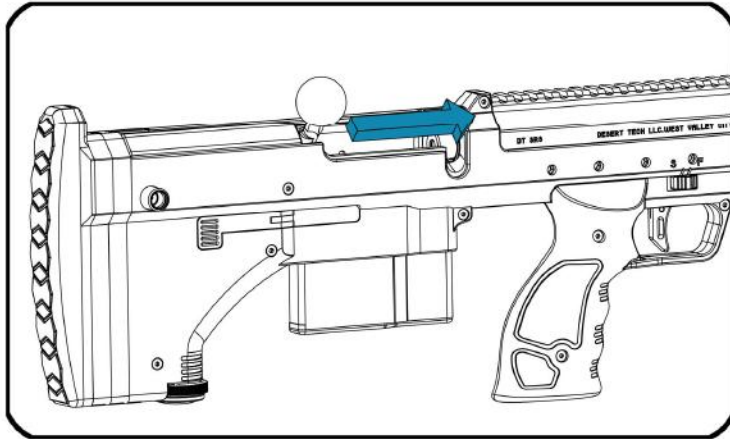
SHOOTING (PUSH BOLT)



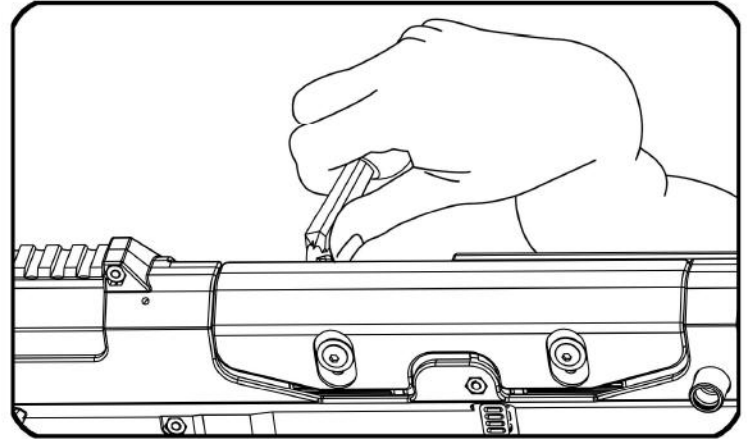
- 1** Pull up the bolt handle.
⚠ Make sure that the bolt is not already armed to avoid sudden bolt movement.



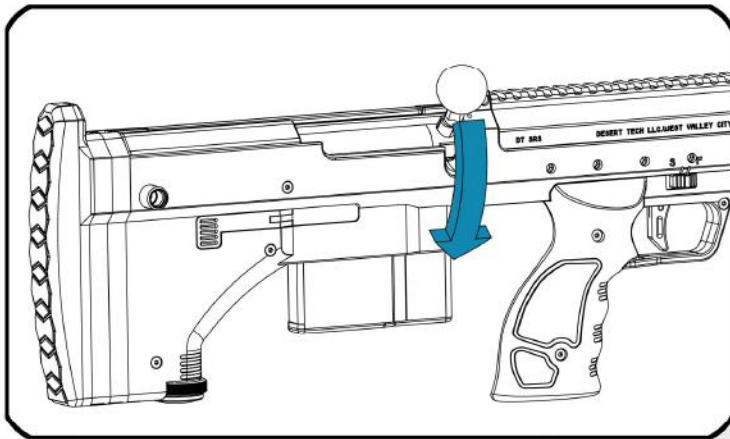
- 2** Move the bolt backward to engage the piston end on the piston sear (until it clicks).



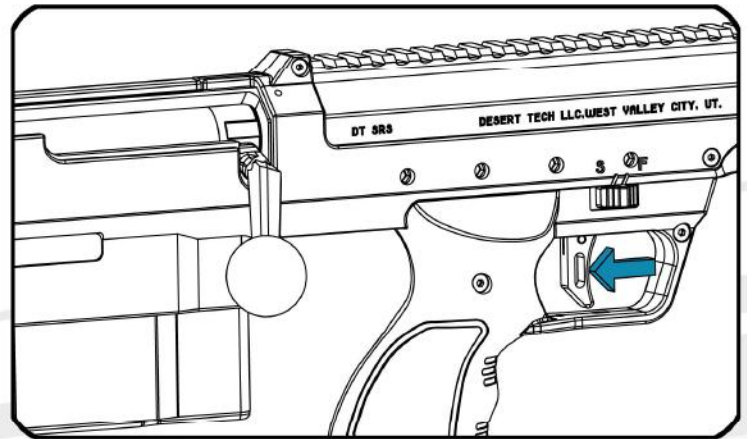
- 3** Push the bolt forward to compress the spring and engage a bb inside the hopup (you can visually check inside the hopup if your magazine is empty).



- 4** We advise you to push the bolt with your thumb in the indicated position to ease the movement.

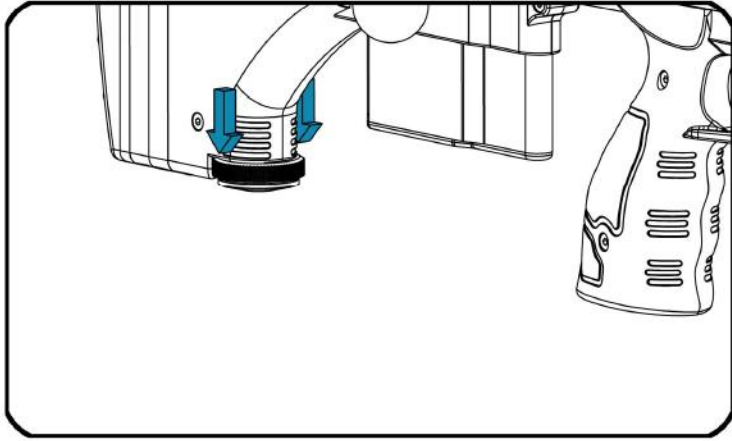


- 5** Lock down the bolt handle to lock the bolt.

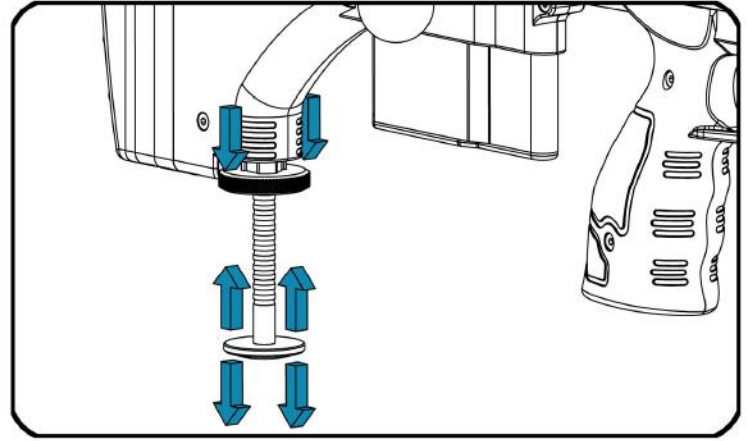


- 6** Pull the trigger to shoot.
⚠ Be sure safety is off.
⚠ Do not shoot without barrel assembly installed, it will damage the receiver.

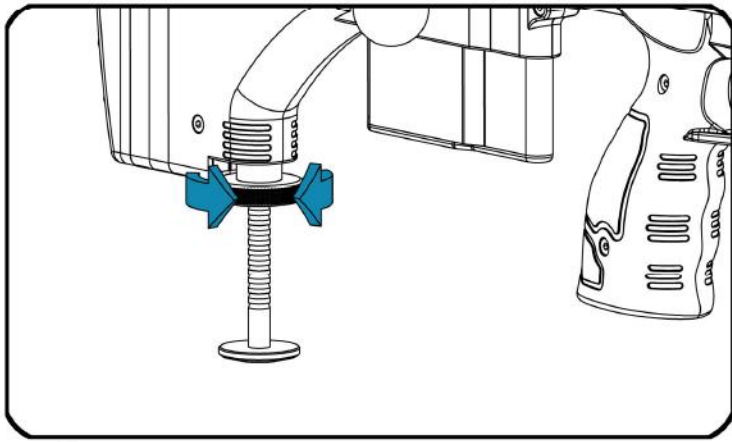
MONOPOD (except SRS Sport)



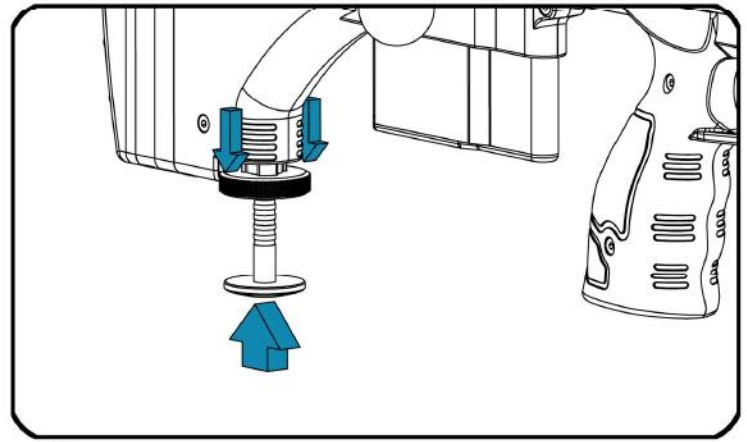
1 To release the monopod, pull down on the monopod knob.



2 For fast adjustment, push up or down on the monopod foot, while holding the monopod knob.



3 For fine-tune adjustments, turn the monopod knob clockwise to add elevation and counter-clockwise to decrease elevation.



4 To return to original retracted position, push up on the monopod foot while holding the monopod knob downward.

MAINTENANCE

GREASING/OILING

Bolt assembly does require regular, de-greasing, cleaning and re-greasing for optimal performance. We recommend you use a silicone based grease with PTFE as provided with your SRS replica. Steel parts need greasing to avoid rust which include: bolt assembly, QD sling attachment, mag catch, magazine case. Avoid oiling or greasing at any time: nozzle, hop up, inner barrel, and the internals of the magazine. Doing so will affect accuracy and efficiency.

CLEANING (BARREL/HOPUP)

Inner barrel and hop up unit must be perfectly clean to ensure optimum performances and accuracy, we suggest you to use a small cotton ball soaked in a non corrosive solution (alcohol or plastic/rubber friendly degreasing chemical) and push it through the inner barrel with a plastic rod from muzzle to hop up. Repeat this operation with a new soaked cotton ball until this one remains clean. We advise you to perform this operation on this airsoft gun before first use.

STORAGE

After use, remove all bbs from the magazine to relieve pressure on the magazine spring. Remove remaining BBS in the bb tube for safety reason, put the replica upside down, and load all BBS by incomplete bolt movements (no locking the piston sear). When BB-tube is empty, expel all bbs by shooting in a safe direction. For long term storage, we recommend you to remove the bolt assembly from your replica to relieve pressure on hopup internal orings, ensuring long lasting air seal.

OPTION SPARE PARTS

Hopup

55	SBA-HOP-01	AEG hopup rubber 60°
55	SBA-HOP-02	AEG hopup rubber 70°
55	SBA-HOP-03	AEG hopup rubber 80°
52	SBA-HOP-04	standard hopup unit + hopup rubber (SBA-HOP-01)
51	SBA-HOP-05	FAST hopup unit + hopup rubber (SBA-HOP-01)
	SBA-HOP-06	FAST hopbar and pin

Spring

9	SBA-SPR-03	M95 AEG short length spring (for SRS push version)
9	SBA-SPR-04	M130 AEG short length spring (for SRS push version)
10	SBA-SPR-05	M140 APS 13mm type spring (for SRS pull bolt version)
10	SBA-SPR-06	M160 APS 13mm type spring (for SRS pull bolt version)
10	SBA-SPR-07	M170 APS 13mm type spring (for SRS pull bolt version)
10	SBA-SPR-08	M150 APS 13mm type spring (for SRS pull bolt version)
10	SBA-SPR-09	M120 APS 13mm type spring (for SRS pull bolt version)
9	SBA-SPR-10	M90 APS 13mm type spring (for SRS pull bolt version)

Bolt

18	SBA-BBA-01	push bolt kit, 0.9 J (with bolt head)
18	SBA-BBA-02	push bolt kit, 1.7 J (with bolt head)
19	SBA-BBA-01-L	push bolt kit, 0.9 J (with bolt head, left handed)
19	SBA-BBA-02-L	push bolt kit, 1.7 J (with bolt head, left handed)
	SBA-BBA-03	pull bolt kit, standard piston (without bolt head)
	SBA-BBA-04	pull bolt kit, ultralight piston (without bolt head)
17	SBA-BBA-05	pull bolt kit, standard piston (with bolt head)
17	SBA-BBA-06	pull bolt kit, ultralight piston (with bolt head)
20	SBA-BBA-05-L	pull bolt kit, standard piston (with bolt head, left handed)
20	SBA-BBA-06-L	pull bolt kit, ultralight piston (with bolt head, left handed)
	SBA-BBA-07	push bolt kit, 1.7 J (without bolt head)
13	SBA-BKB-01	tactical bolt knob
12	SBA-BKB-02	match bolt knob
14	SBA-BKB-03	operator bolt knob
5	SBA-BPS-02	standard piston (pull bolt)
6	SBA-BPS-03	lightweight piston (pull bolt)
3	SBA-BPS-04	piston assembly (push bolt)
7	SBA-BSG-03	steel spring guide (pull bolt)
8	SBA-BSG-04	steel/Teflon spring guide with thrust bearing (pull bolt)
16	SBA-BTH-02	monolithic steel bolt head assembly
15	SBA-BTH-02-L	monolithic steel bolt head assembly (left handed)
2	SBA-CYL-01	cylinder (push bolt)
4	SBA-CYL-02	cylinder (pull bolt)
1	SBA-PTE-01	aluminium piston end (push bolt)
1	SBA-PTE-02	steel piston end (push bolt)

Barrel

31	SBA-OBL-01	26 Inches fluted barrel + hopup unit (SBA-HOP-04)
27	SBA-OBL-02	22 Inches fluted barrel + hopup unit (SBA-HOP-04)
23	SBA-OBL-03	16 Inches straight barrel + hopup unit (SBA-HOP-04)
25	SBA-OBL-04	18 Inches straight barrel + hopup unit (SBA-HOP-04)
29	SBA-OBL-05	22 Inches bull barrel + hopup unit (SBA-HOP-04)
24	SBA-OBL-06	carbon barrel (455 mm) + hopup unit (SBA-HOP-04)
28	SBA-OBL-07	carbon barrel (590 mm) + hopup unit (SBA-HOP-04)
30	SBA-OBL-08	carbon barrel (650 mm) + hopup unit (SBA-HOP-04)
22	SBA-OBL-09	G-Spec Barrel (309 mm) + hopup unit (SBA-HOP-04)
26	SBA-OBL-10	sport barrel (510 mm) + hopup unit (SBA-HOP-04)
53	SBA-BBS-07	barrel spacer for carbon and sport barrels

Silencer

43	SBA-BBS-09	DTSS silencer barrel spacer (1 piece)
34	SBA-SIL-02	DTSS Silencer .30 (without QD muzzle brake)
	SBA-SIL-03	DTSS Silencer .30 (including SBA-FHD-01)
35	SBA-SIL-04	DTSS Silencer .338 (without QD muzzle brake)
	SBA-SIL-05	DTSS Silencer .338 (including SBA-FHD-04)

Trigger

47	SBA-TRG-01	standard trigger
48	SBA-TRG-02	dual stage trigger, classic
49	SBA-TRG-03	dual stage trigger, speed
50	SBA-TRG-04	dual stage trigger, match
46	SBA-TRG-05	sport trigger
44	SBA-TRG-06	trigger box
36	SBA-TSB-01	transfer bar
45	SBA-PTS-01	steel piston sear

Muzzle

40	SBA-FHD-01	.30 muzzle brake (DTSS silencer compatible)
38	SBA-FHD-02	.338 muzzle brake (large model)
42	SBA-FHD-03	14mm negative thread protection
39	SBA-FHD-04	.338 muzzle brake (DTSS silencer compatible)
41	SBA-SIL-07	14 mm adapter for G-Spec & sport barrel

Handguard

64	SBA-HDG-01	long handguard
63	SBA-HDG-02	Covert handguard
62	SBA-RAL-01	additional short rails (3 pieces)
57	SBA-RAL-03	steel QD point for handguard

Stock

60	SBA-STK-02	buttplate spacer (1 piece)
60	SBA-STK-03	buttplate spacers (3 pieces)
59	SBA-STK-04	buttplate base + rubber recoil damper
11	SBA-STK-05	dust cover
61	SBA STK 06	hollow buttplate spacer (for pull bolt)
56	SBA-STK-07BK	spare Nylon stock (black)
56	SBA-STK-07FDE	spare Nylon stock (FDE)
56	SBA-STK-07OD	spare Nylon stock (OD)
	SBA-STK-07BK-L	spare Nylon stock (black, left handed)
	SBA-STK-07FDE-L	spare Nylon stock (FDE, left handed)
	SBA-STK-07OD-L	spare Nylon stock (OD, left handed)
58	SBA-STK-08	monopod plug
	SBA-STK-09	rubber recoil damper (SRS205)
37	SBA-MGC-01	magcatch system

Chassis

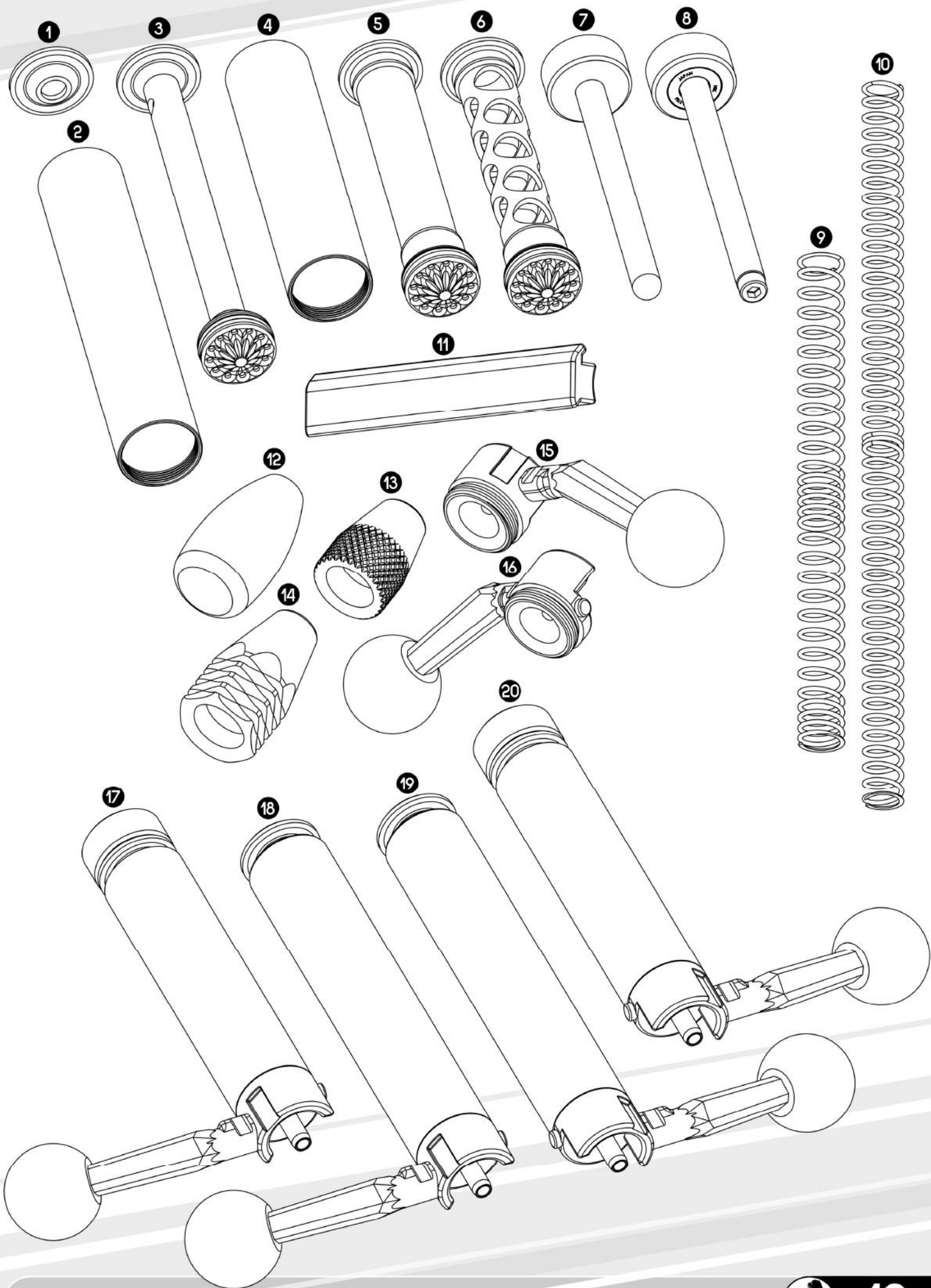
54	SBA-BBT-02	stainless steel BB tube
	SBA-KIT-02BK	retrofit kit (BK stock)
	SBA-KIT-02FDE	retrofit kit (FDE stock)
	SBA-KIT-02OD	retrofit kit (OD stock)
33	SBA-MNP-01	monopod
	SBA-ORG-01	replacement o-ring set
	SBA-SST-01	relacement screw set

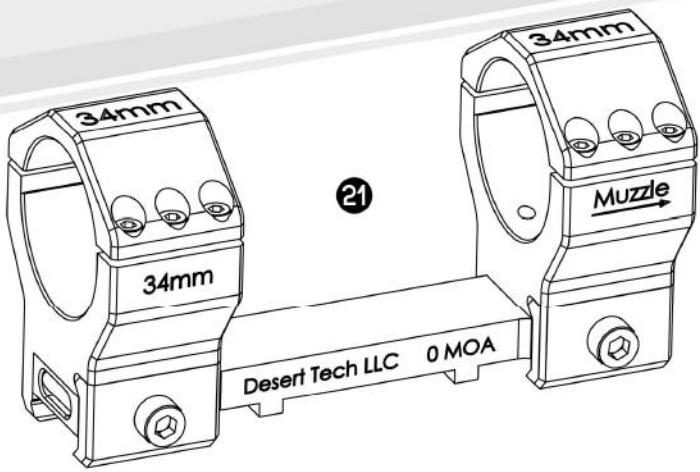
Magazine

32	SBA-MAG-02	steel magazine 30 rounds
----	------------	--------------------------

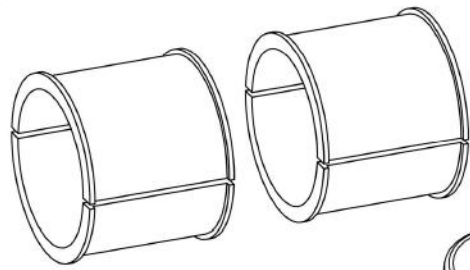
Scope Mount

21	SBA-SMT-01	34 mm scope mount (with 30 and 25 mm adapters)
----	------------	--

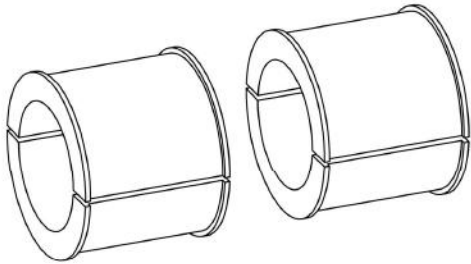




21



30



26

27

28

29

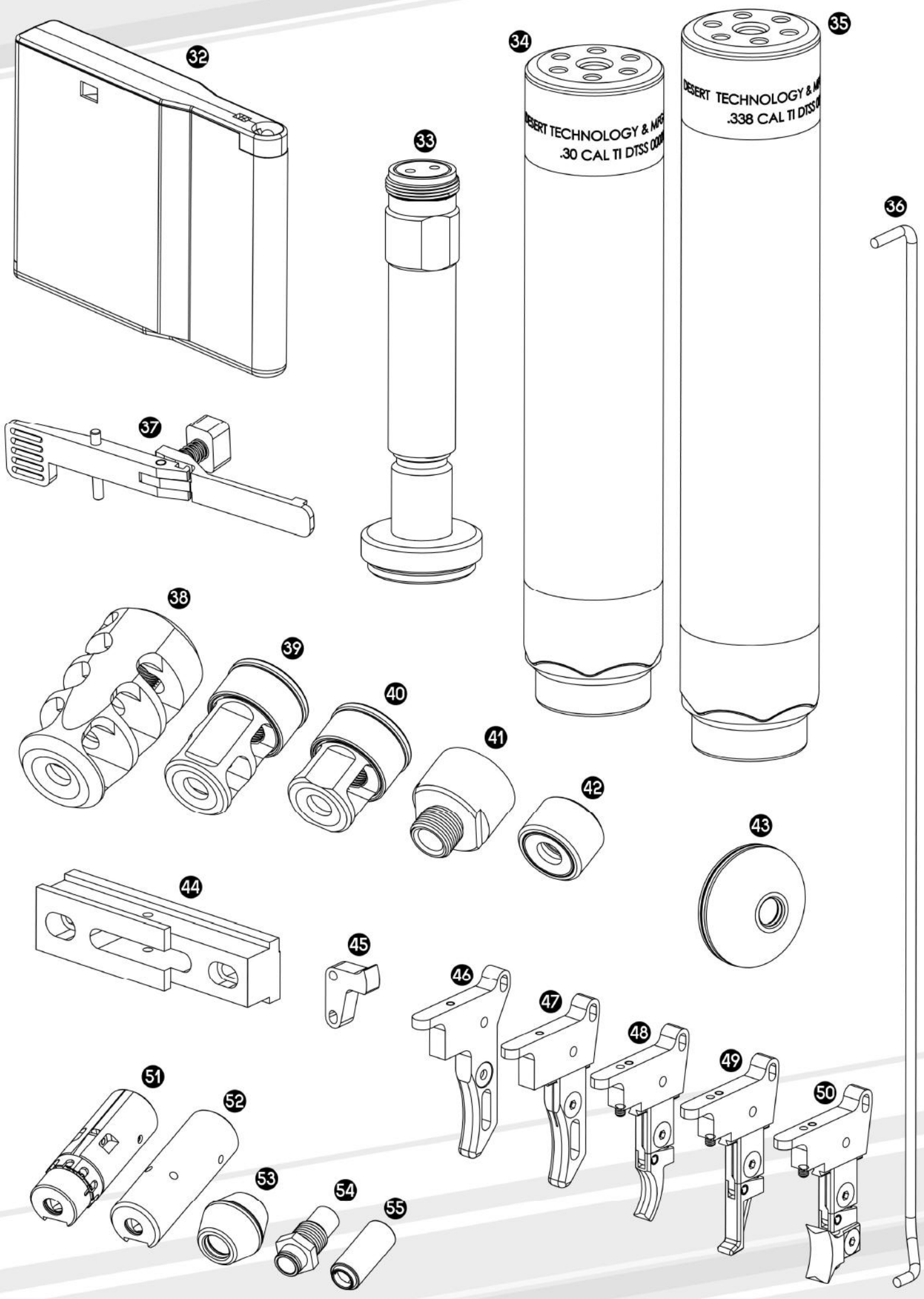
24

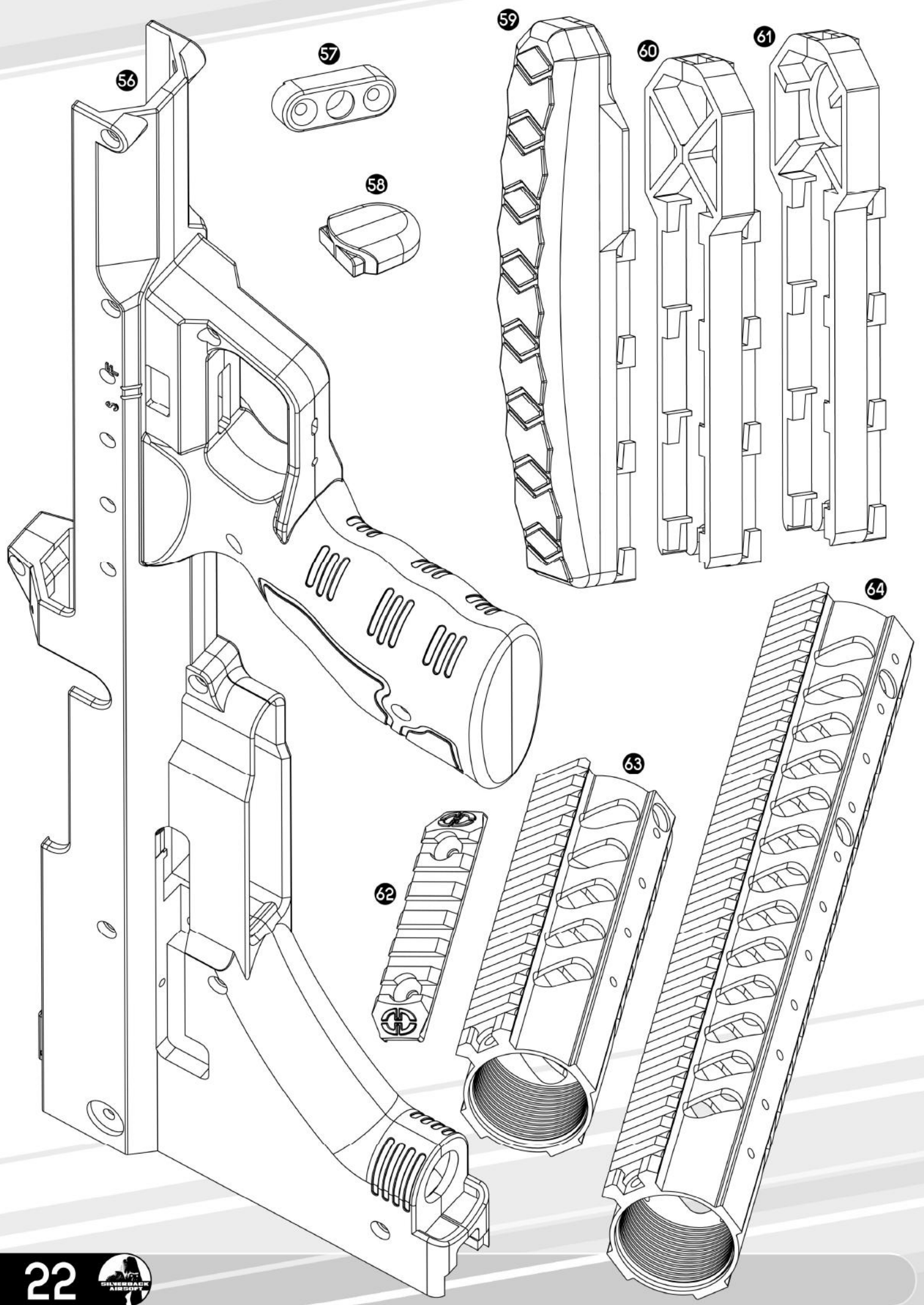
25

23

22

31





EXPLODED VIEWS

PARTS LIST

Chassis

SRS101	<i>receiver (right handed)</i>
SRS102	<i>handguard Covert</i>
SRS103	<i>handguard long</i>
SRS104	<i>handguard lock</i>
SRS105	<i>rail</i>
SRS106	<i>barrel lock</i>
SRS107	<i>bbs tube</i>
SRS108	<i>trigger box</i>
SRS110	<i>trigger base</i>
SRS111	<i>trigger</i>
SRS112	<i>safety</i>
SRS113	<i>rod</i>
SRS114	<i>piston sear</i>
SRS116	<i>spring plate</i>
SRS117	<i>receiver (left handed)</i>
SRS118	<i>buttplate hook</i>
SRS119	<i>bolt lug cover</i>
SRS120	<i>sport trigger</i>

Stock

SRS201-BK	<i>stock panel right (right handed - BK)</i>
SRS201-FDE	<i>stock panel right (right handed - FDE)</i>
SRS201-OD	<i>stock panel right (right handed - OD)</i>
SRS202-BK	<i>stock panel left (right handed - BK)</i>
SRS202-OD	<i>stock panel left (right handed - FDE)</i>
SRS202-FDE	<i>stock panel left (right handed - OD)</i>
SRS203	<i>buttplate spacer</i>
SRS204	<i>buttplate back</i>
SRS205	<i>buttplate damper</i>
SRS206	<i>QD sling clip</i>
SRS207	<i>magcatch</i>
SRS210	<i>magcatch button right</i>
SRS211	<i>magcatch button left</i>
SRS212	<i>cheekpad</i>
SRS213	<i>monopod plug</i>
SRS214	<i>hollow buttplate spacer</i>
SRS215	<i>dust cover</i>
SRS216-BK	<i>stock panel right (left handed - BK)</i>
SRS216-FDE	<i>stock panel right (left handed - FDE)</i>
SRS216-OD	<i>stock panel right (left handed - OD)</i>
SRS217-BK	<i>stock panel left (left handed - BK)</i>
SRS217-FDE	<i>stock panel left (left handed - FDE)</i>
SRS217-OD	<i>stock panel left (left handed - OD)</i>

Push bolt

SRS301	<i>cylinder (push)</i>
SRS303	<i>cylinder end</i>
SRS306	<i>bolt knob</i>
SRS307	<i>piston head (push)</i>
SRS308	<i>trust bearing</i>
SRS309	<i>piston body (push)</i>
SRS310	<i>piston end (push)</i>
SRS311	<i>M95 spring (push)</i>
SRS312	<i>M130 spring (push)</i>

Pull Bolt

SRS316	<i>cylinder (pull)</i>
SRS317	<i>piston body (pull)</i>
SRS319	<i>piston head (pull)</i>
SRS320	<i>piston end (pull)</i>
SRS321	<i>spring guide (pull)</i>
SRS322	<i>spring guide base (pull)</i>
SRS323	<i>spring guide rod (pull)</i>
SRS326	<i>monolithic bolt head (right handed)</i>
SRS327	<i>monolithic bolt head (left handed)</i>
SRS329	<i>M120 spring (pull)</i>
SRS330	<i>M90 spring (pull)</i>

Barrels

SRS401	<i>outer barrel 16"</i>
SRS402	<i>outer barrel 22"</i>
SRS403	<i>outer barrel 26"</i>
SRS404	<i>inner barrel 420 mm</i>
SRS405	<i>inner barrel 578 mm</i>
SRS406	<i>inner barrel 680 mm</i>
SRS407	<i>hopup body</i>
SRS408	<i>hopup rubber</i>
SRS409	<i>M14x1 CCW thread protector</i>
SRS410	<i>M14x1 CCW .30 MB (DTSS compatible)</i>
SRS411	<i>M24x1 CW MB protector</i>
SRS412	<i>M14x1 CCW .338 MB</i>
SRS413	<i>outer barrel 20" base</i>
SRS414	<i>outer barrel 20" tube (DTSS compatible)</i>
SRS415	<i>outer barrel 20" muzzle</i>
SRS416	<i>barrel spacer</i>
SRS417	<i>inner barrel 510 mm</i>
SRS418	<i>hopup long knurled screw</i>

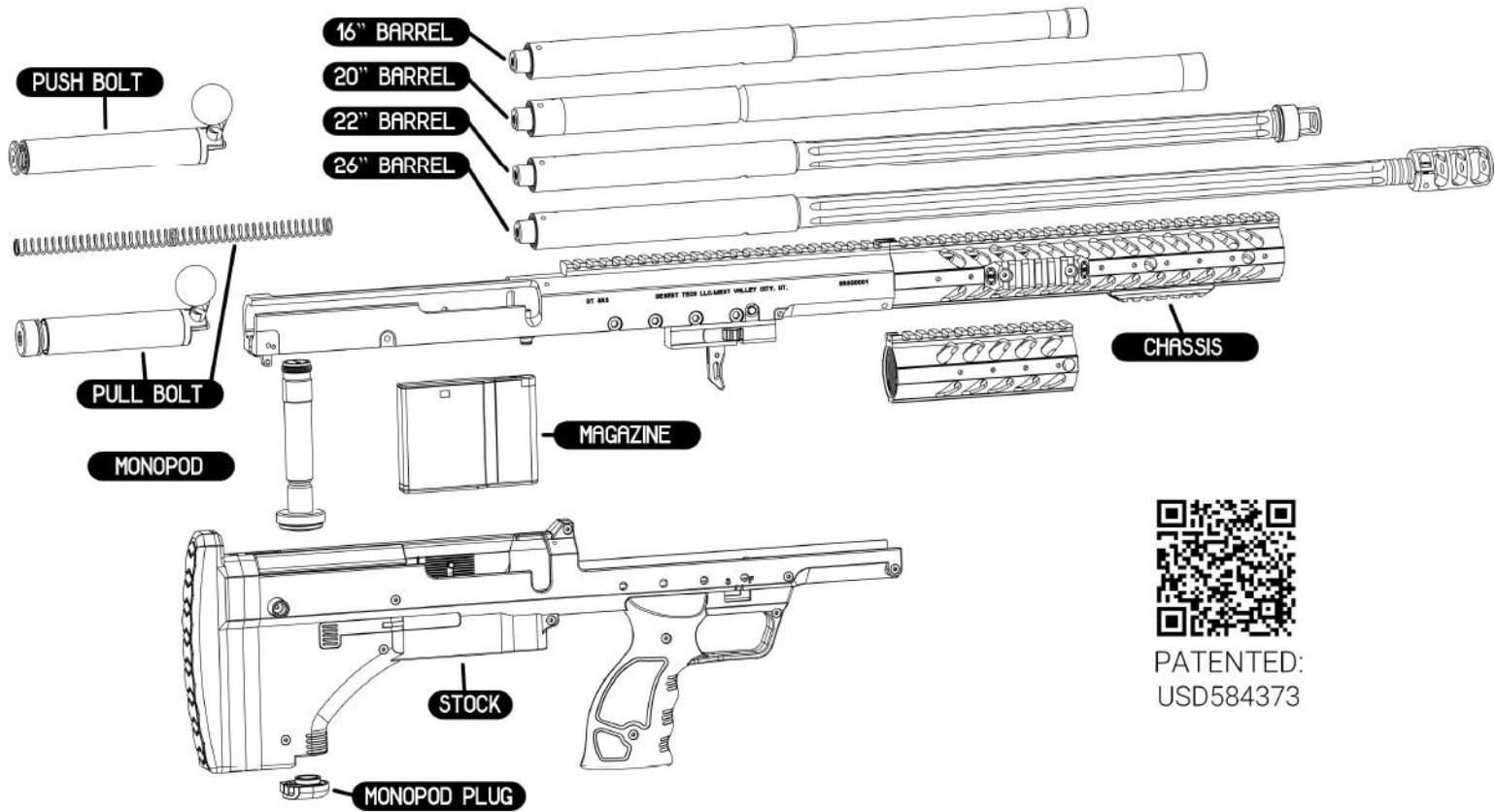
Monopod

SRS501	<i>monopod first housing member</i>
SRS502	<i>monopod second housing member</i>
SRS503	<i>monopod third housing member</i>
SRS504	<i>monopod extension shaft</i>
SRS505	<i>monopod footpad</i>
SRS506	<i>monopod spring guide</i>
SRS507	<i>monopod knob</i>
SRS508	<i>monopod hat</i>

Magazine

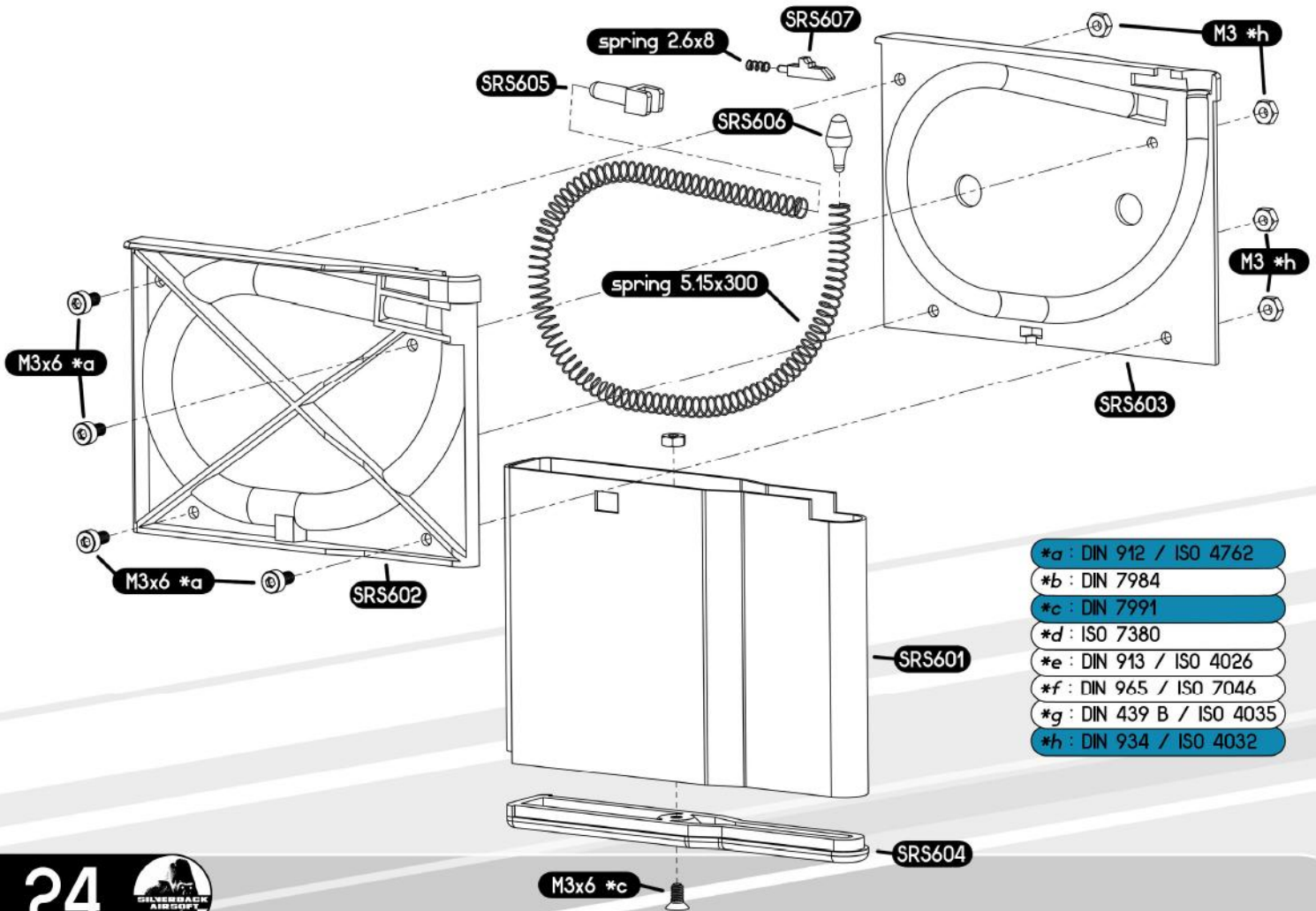
SRS601	<i>magazine shell</i>
SRS602	<i>magazine internal right</i>
SRS603	<i>magazine internal left</i>
SRS604	<i>magazine plate</i>
SRS605	<i>magazine spring guide</i>
SRS606	<i>magazine follower</i>
SRS607	<i>magazine bbs stopper</i>

NOMENCLATURE

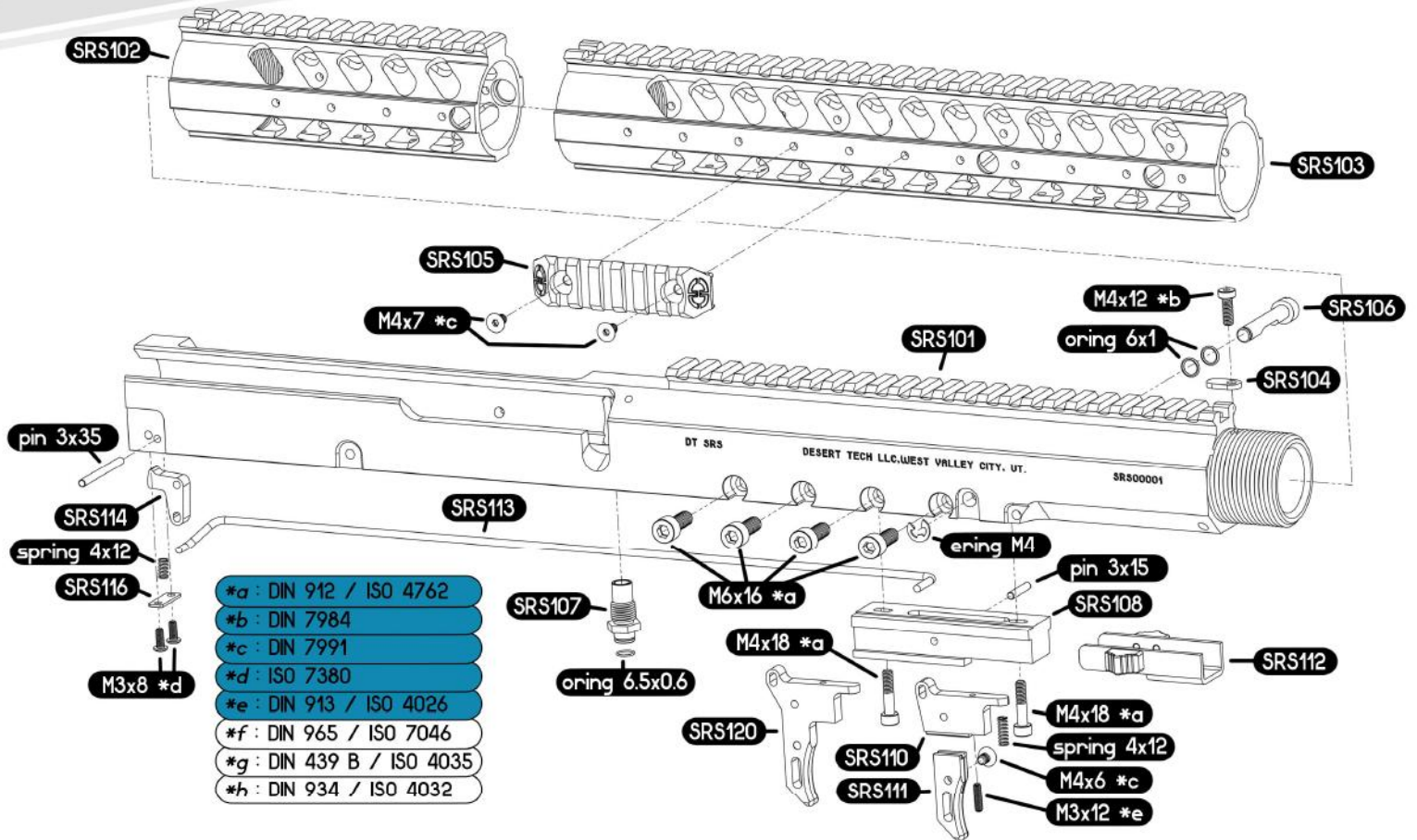


PATENTED:
USD584373

MAGAZINE

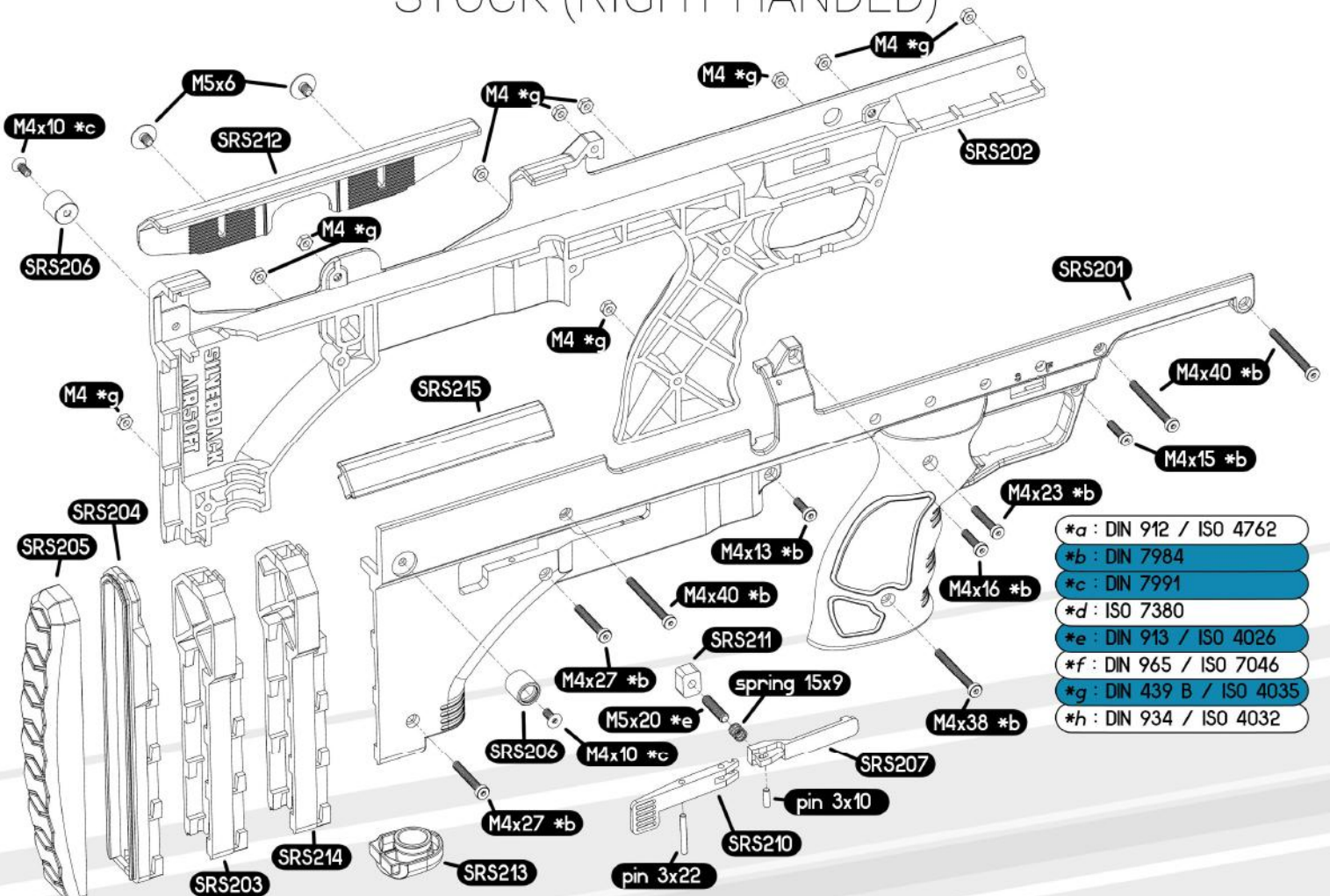


CHASSIS (RIGHT HANDED)



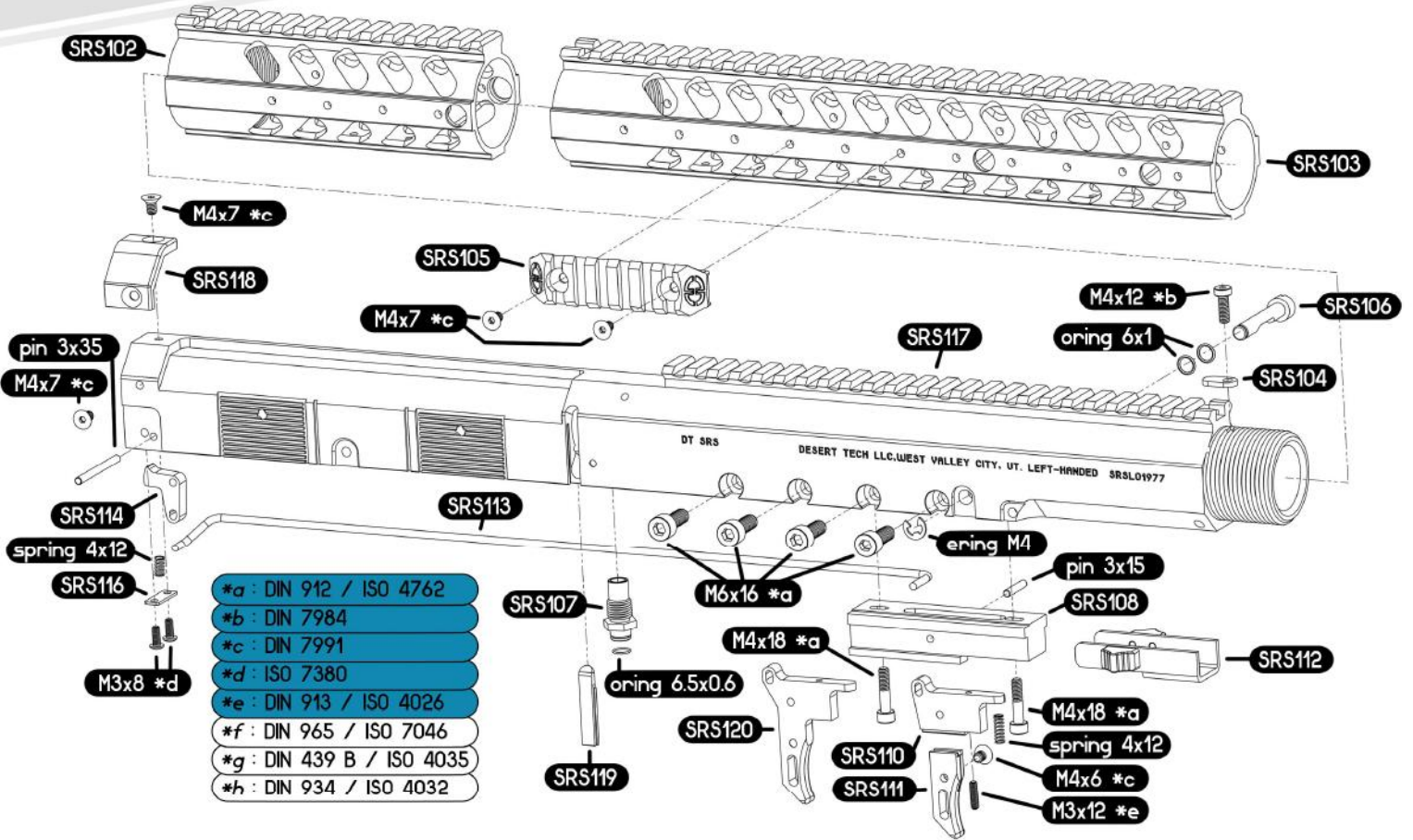
- *a : DIN 912 / ISO 4762
- *b : DIN 7984
- *c : DIN 7991
- *d : ISO 7380
- *e : DIN 913 / ISO 4026
- *f : DIN 965 / ISO 7046
- *g : DIN 439 B / ISO 4035
- *h : DIN 934 / ISO 4032

STOCK (RIGHT HANDED)

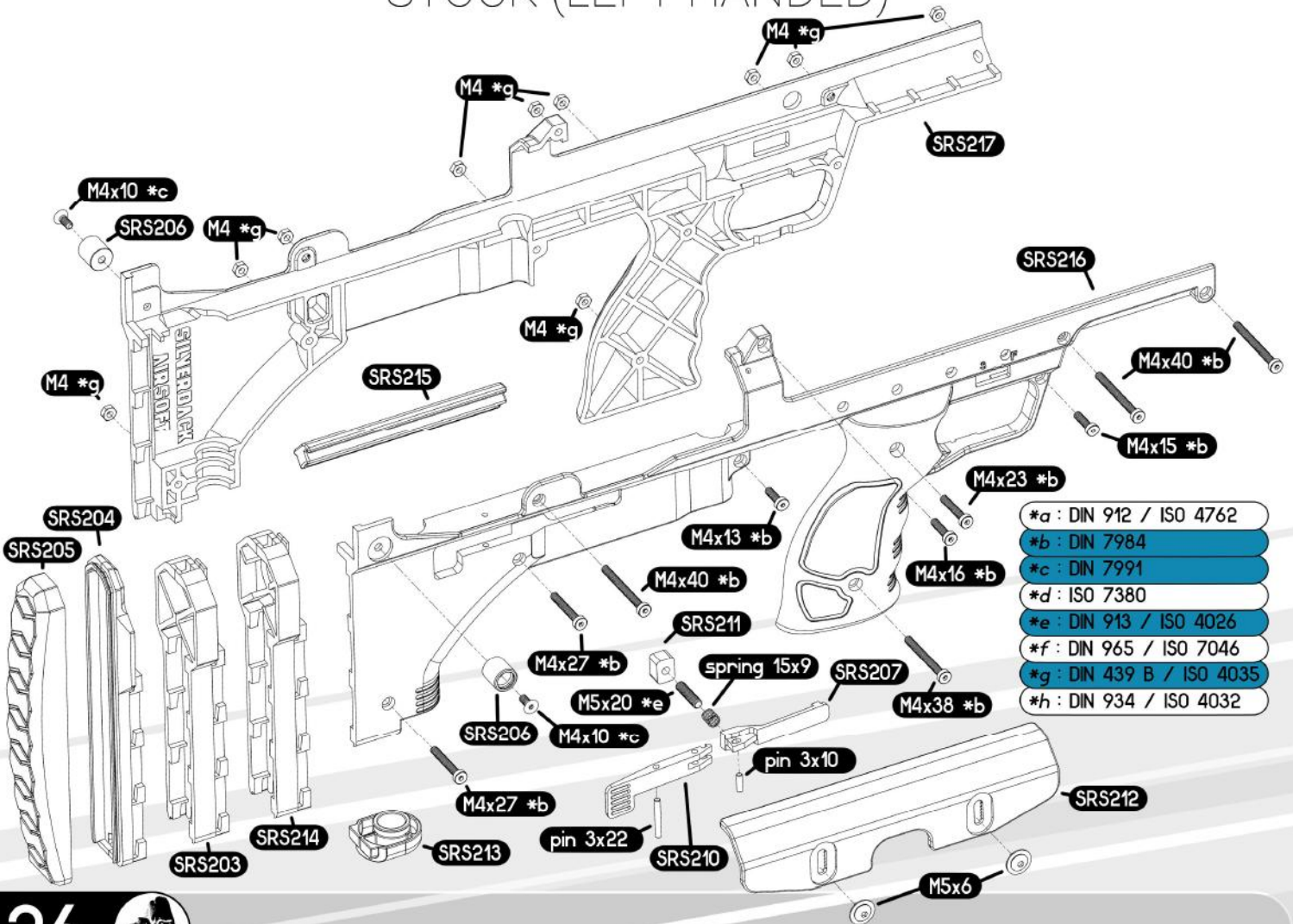


- *a : DIN 912 / ISO 4762
- *b : DIN 7984
- *c : DIN 7991
- *d : ISO 7380
- *e : DIN 913 / ISO 4026
- *f : DIN 965 / ISO 7046
- *g : DIN 439 B / ISO 4035
- *h : DIN 934 / ISO 4032

CHASSIS (LEFT HANDED)



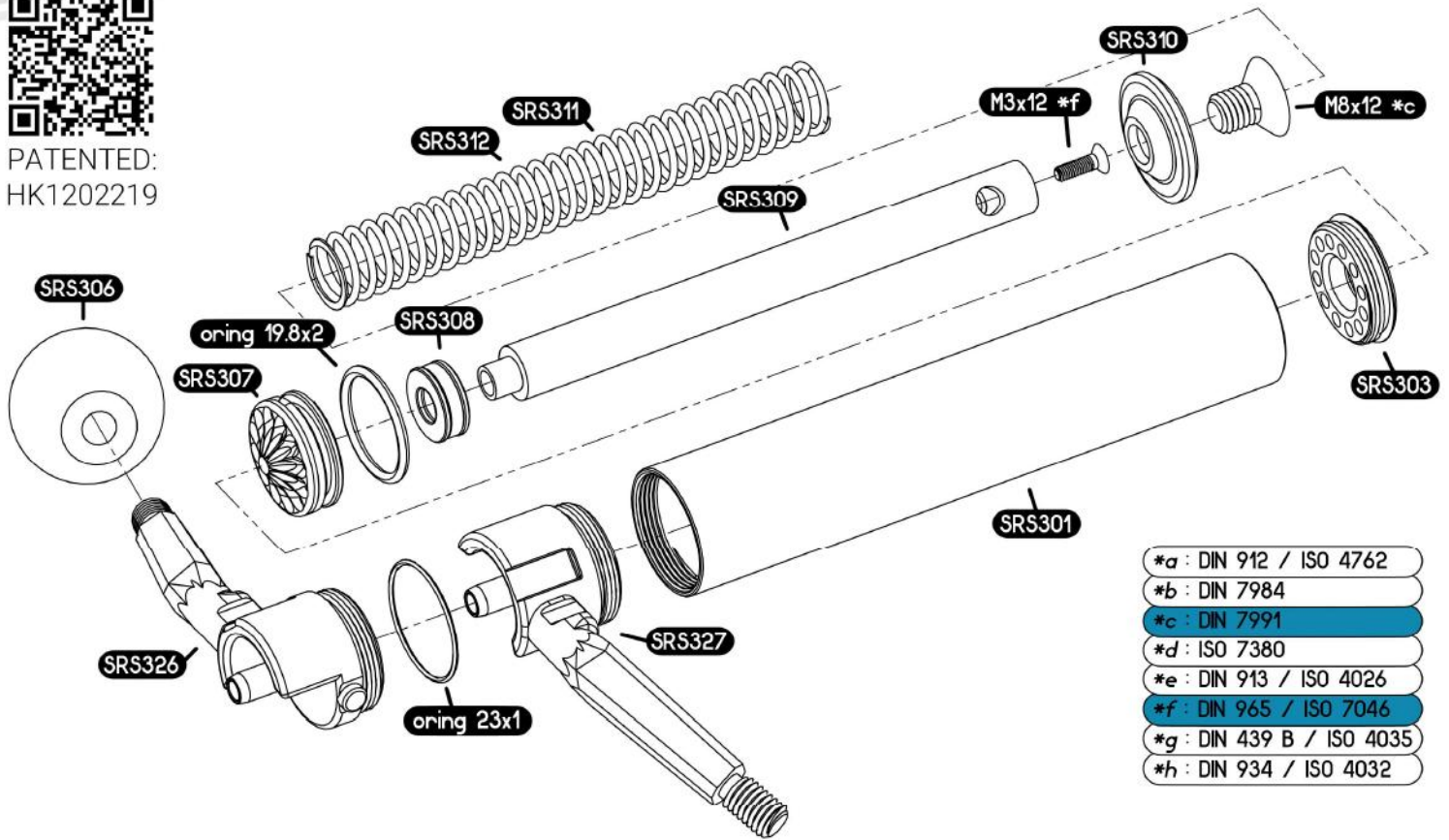
STOCK (LEFT HANDED)



PUSH BOLT

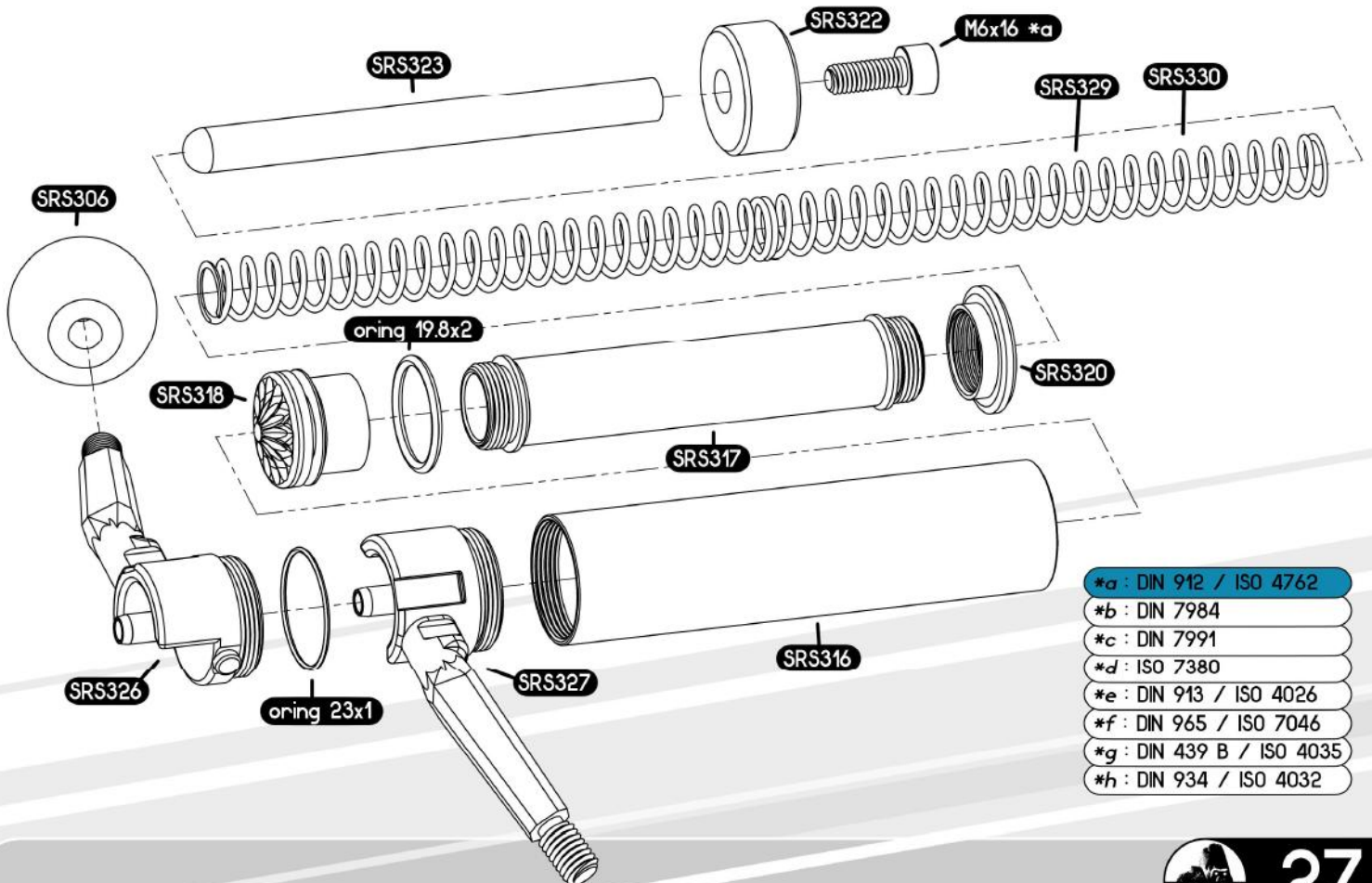


PATENTED:
HK1202219



- *a : DIN 912 / ISO 4762
- *b : DIN 7984
- *c : DIN 7991
- *d : ISO 7380
- *e : DIN 913 / ISO 4026
- *f : DIN 965 / ISO 7046
- *g : DIN 439 B / ISO 4035
- *h : DIN 934 / ISO 4032

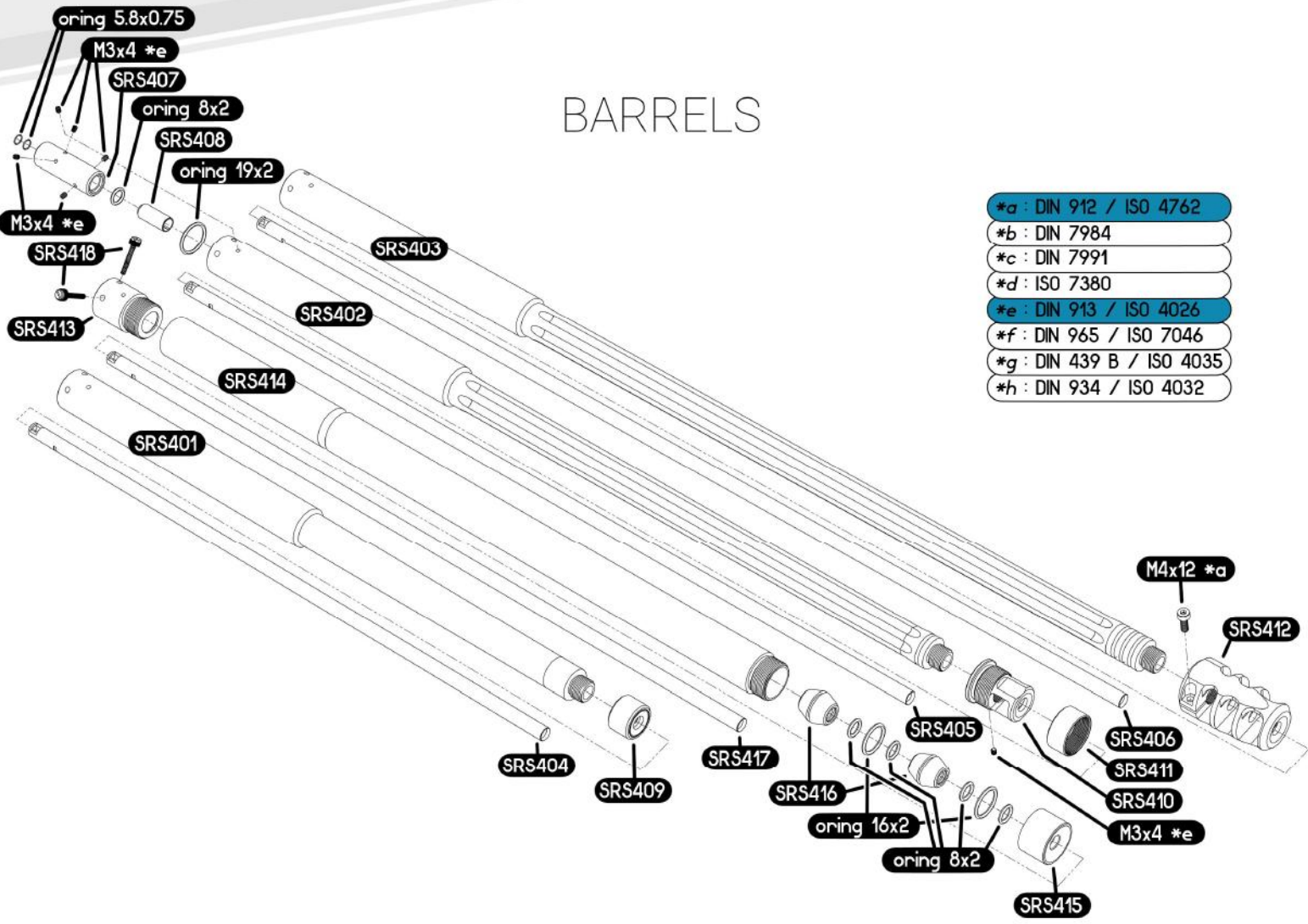
PULL BOLT



- *a : DIN 912 / ISO 4762
- *b : DIN 7984
- *c : DIN 7991
- *d : ISO 7380
- *e : DIN 913 / ISO 4026
- *f : DIN 965 / ISO 7046
- *g : DIN 439 B / ISO 4035
- *h : DIN 934 / ISO 4032

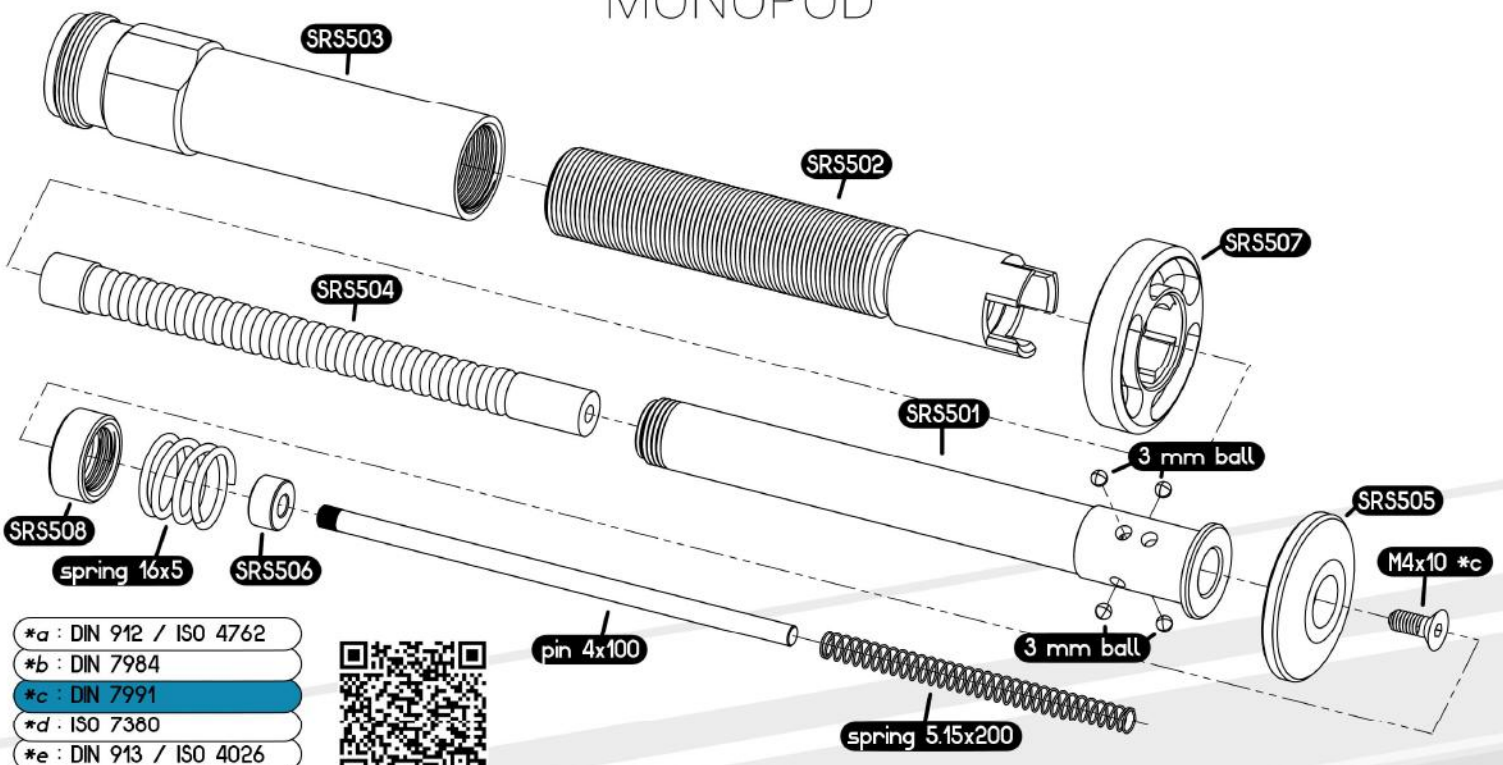


BARRELS



- *a : DIN 912 / ISO 4762
- *b : DIN 7984
- *c : DIN 7991
- *d : ISO 7380
- *e : DIN 913 / ISO 4026
- *f : DIN 965 / ISO 7046
- *g : DIN 439 B / ISO 4035
- *h : DIN 934 / ISO 4032

MONOPOD



- *a : DIN 912 / ISO 4762
- *b : DIN 7984
- *c : DIN 7991
- *d : ISO 7380
- *e : DIN 913 / ISO 4026
- *f : DIN 965 / ISO 7046
- *g : DIN 439 B / ISO 4035
- *h : DIN 934 / ISO 4032



PATENTED:
US20110173867



SPECIFICATIONS

MATERIALS

	receiver	handguard	outer barrel	trigger group	hopup	monopod	bolt	magcatch	piston sear	safety	magazine	inner barrel	bbs tube	trigger rod	stock	buttplate	cheekpad	dustcover	screws	orings	
aluminium 6061 T5/6																					
steel CR1018																					
stainless steel SS304																					
steel 10.9																					
brass																					
Nylon PA6-GF15																					
Bakelite																					
NBR 70°/80°																					
silicon 60°																					

SIZE/WEIGHT

chassis / barrel	bolt	hand	min. weight	min. length
SRS-A1 Covert 16"	Push	Right	2.98 Kg	675 mm
SRS-A1 Sport 20"			2.82 Kg	764 mm
SRS-A1 22"			3.20 Kg	850 mm
SRS-A1 26"			3.32 Kg	980 mm
SRS-A1 Covert 16"	Pull		3.17 Kg	699 mm
SRS-A1 Sport 20"			3.01 Kg	788 mm
SRS-A1 22"			3.39 Kg	874 mm
SRS-A1 26"			3.51 Kg	1004 mm
SRS-A1 Covert 16"	Push	Left	2.97 Kg	675 mm
SRS-A1 Sport 20"			2.81 Kg	764 mm
SRS-A1 22"			3.19 Kg	850 mm
SRS-A1 26"			3.31 Kg	980 mm
SRS-A1 Covert 16"	Pull		3.16 Kg	699 mm
SRS-A1 Sport 20"			3.00 Kg	788 mm
SRS-A1 22"			3.38 Kg	874 mm
SRS-A1 26"			3.50 Kg	1004 mm

SERIAL NUMBERS

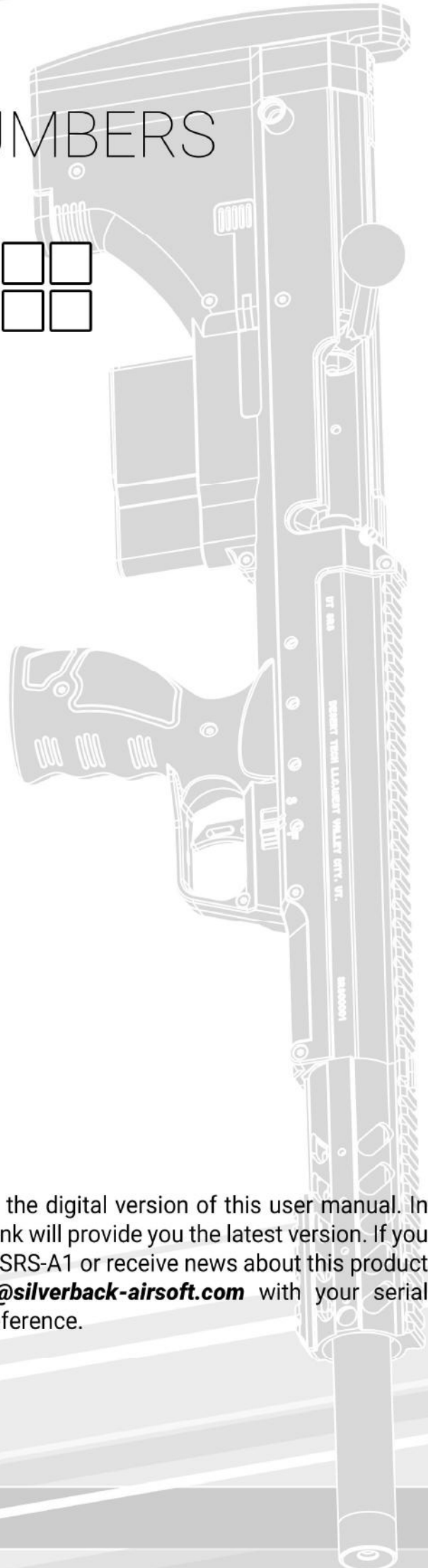
Serial number:
Client code:

Color: black.....
flat dark earth.....
olive drab.....

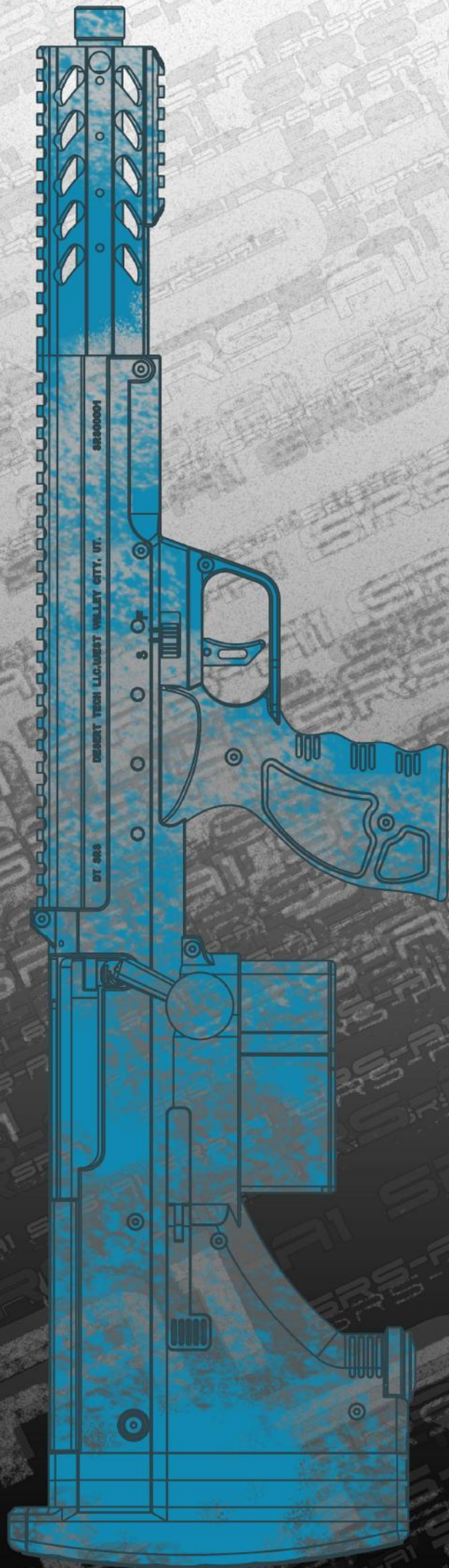
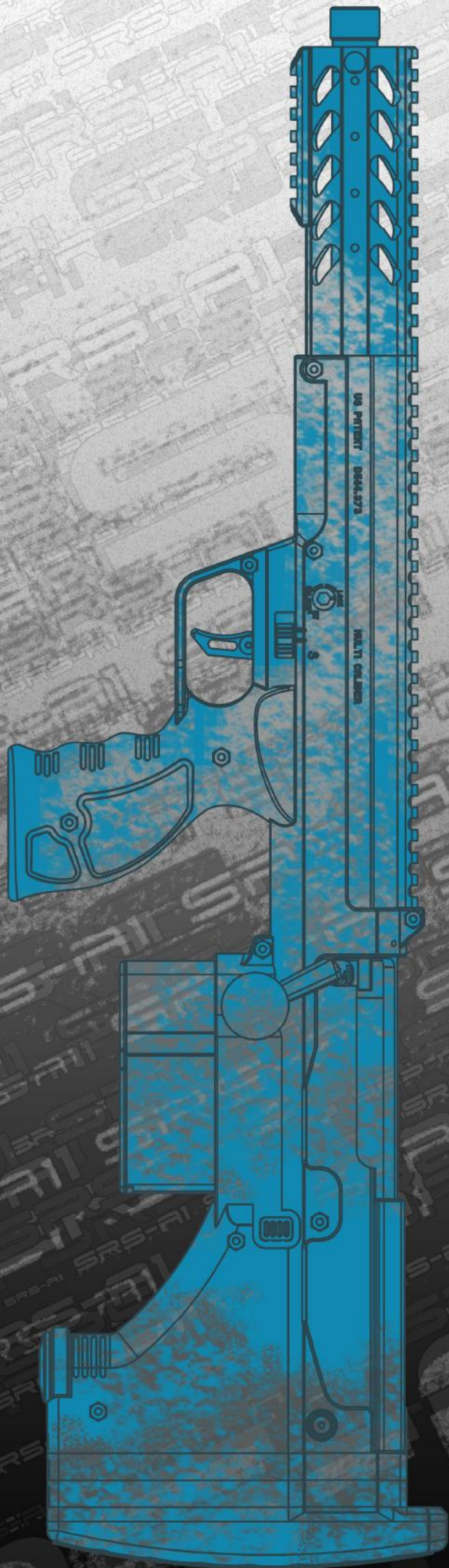
Type: 16" Covert.....
20" Sport.....
22".....
26".....

Bolt: push.....
pull.....

Hand: right handed.....
left handed.....



Scan this QR code and download the digital version of this user manual. In case of user manual update, this link will provide you the latest version. If you wish to contact us regarding your SRS-A1 or receive news about this product line, please contact us at **info@silverback-airsoft.com** with your serial number and your client code as reference.



Made in Hong Kong



SILVERBACK AIRSOFT